



# SPI-S SERIES

## High Current SMD Power Inductors SPI0402S, SPI0802S, SPI0804S, SPI1306S

### FEATURES

- Current up to 8A
- Very Small Foot Print
- Flat-top for Pick & Place

### OPTIONS

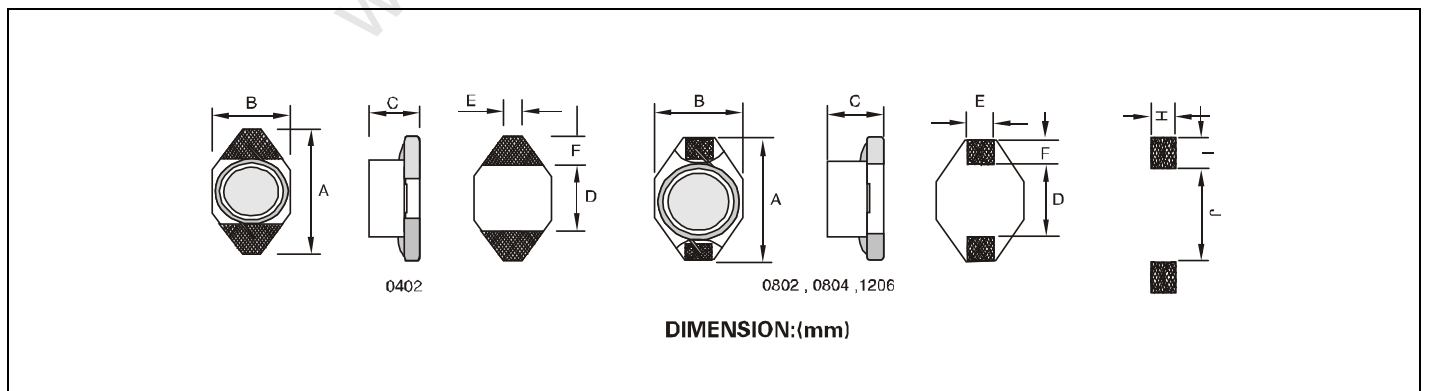
- Tape & Reel is Standard Bulk Packaging Available for Smaller Quantities
- Tolerance:10% and 20% is Standard
- Custom Design Available

### APPLICATIONS

- DC-DC Converters
- Step-up, Step-down Converters
- Power Supply
- Line Filter

Part Number	L(μH) ±20%	DCR (Ohm) Max.				IDC (A) Max.			
		SPI0402S	SPI0802S	SPI0804S	SPI1306S	SPI0402S	SPI0802S	SPI0804S	SPI1206S
1R0	1.0	0.040		0.021		3.0		5.0	
1R5	1.5	0.045	0.038	0.022		2.8	4.00	4.5	
2R2	2.2	0.050	0.045	0.032		1.8	3.50	3.8	
3R3	3.3	0.055	0.062	0.039		1.6	3.00	3.3	
4R7	4.7	0.060	0.78	0.054		1.4	2.50	2.7	
6R8	6.8	0.065	0.10	0.075		1.2	2.20	2.2	
100	10	0.075	0.145	0.101	0.040	1.0	2.00	2.0	3.9
150	15	0.090	0.20	0.150	0.048	0.80	1.50	1.5	3.4
220	22	0.11	0.30	0.207	0.059	0.70	1.30	1.3	3.1
330	33	0.19	0.45	0.334	0.075	0.60	1.10	1.1	2.8
470	47	0.23	0.65	0.472	0.097	0.50	0.80	0.80	2.4
680	68	0.29	0.80		0.138	0.40	0.70		2.0
101	100	0.48	1.40		0.207	30	0.60		1.7
151	150	0.59	1.80		0.293	26	0.50		1.3
221	220	0.90	2.20		0.470	0.22	0.40		1.1
331	330	1.40	3.60		0.780	0.20	0.30		0.86
471	470	1.80	5.10		1.08	19	0.20		0.73
681	680	2.20			1.40	0.18			0.64
102	100	3.40			2.01	0.15			0.53
152	1500	4.20				0.12			
222	2200	8.50				0.10			
332	3300	11.0				0.08			
472	4700	13.9				0.06			
682	6800	25.0				0.04			
103	10000	32.8				0.02			

- Testing: (Equivalent acceptable) Inductance:HP4285A RDC:QuadTech 1880 Milliohmmeter -Q- HP4342A - SRF-HP4191A
- IDC Max:Determined when superimposed DC current is decreased 10% against its initial value
- Operating Temperature:-40°C to+85°C
- Storage Temperature: -40°C to +105°C
- Solder methods: Vapor Phase,Infrared Reflow
- Resistance to soldering heat:260°C for 10 seconds
- Solvent resistance: Conforms to MIL-STD-202E
- Marking: Inductance & Tolerance



Part number	A	B	C	D	E	F	H	I	J
SPI-0402S	6.60	4.45	2.92	4.32	1.27	1.02	3.56	1.4	4.06
SPI-0802S	12.7	10.1	2.70	7.6	2.2	2.4	2.8	3.0	7.3
SPI-0804S	12.95	9.40	5.08	7.62	2.54	2.54	2.79	2.92	7.37
SPI-1306S	18.54	15.24	7.62	12.70	2.54	2.54	2.79	2.92	12.45