



LGS1014-1159 SERIES

Through Hole Radial Shielded Power Inductor

FEATURES

- Magnetic Shielded Construction
- Heat Resistant Molded Resin
- Excellent Mechanical Strength
- High Reliability
- Low DCR large Current

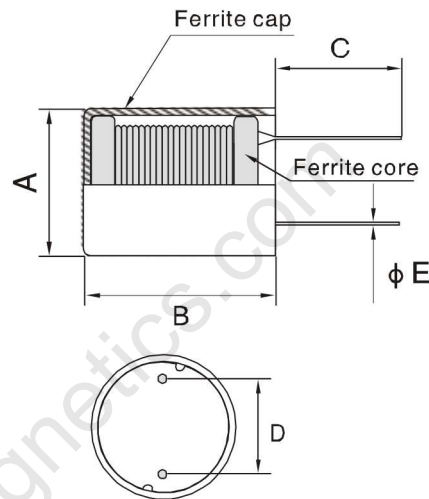
OPTIONS

- Packaging: T&R Standard 2Kpchs
- Tolerance: 10% and 5% is standard
- Lower tolerances available.

APPLICATIONS

- VCR, AC-DC, DC-DC Converter
- Video Cameras
- Communication System
- Automotive System
- LCD TV
- Power Supply
- Network System
- Computer

Part Number	L μ H	Test Freq KHz	Q min	DCR ohm Max.	IDC max. A
LGS1014-122K	1.2	1	50	1.2	200
LGS1014-152K	1.5	1	50	1.5	200
LGS1014-182K	1.8	1	50	1.6	200
LGS1014-222K	2.2	1	50	1.8	200
LGS1014-272K	2.7	1	40	1.9	200
LGS1014-332K	3.3	1	40	2.3	200
LGS1014-392K	3.9	1	40	2.5	200
LGS1014-472K	4.7	1	40	3.7	140
LGS1014-502K	5	1	40	3.8	140
LGS1014-562K	5.6	1	40	4	140
LGS1014-682K	6.8	1	40	4.2	140
LGS1014-822K	8.2	1	40	5.3	140
LGS1014-103K	10	1	100	7.3	100
LGS1014-123K	12	1	100	8.3	100
LGS1014-153K	15	1	100	11	90
LGS1014-183K	18	1	100	13.6	75
LGS1014-223K	22	1	100	15.4	75
LGS1014-273K	27	1	100	17.9	75
LGS1014-333K	33	1	100	23.3	60
LGS1014-393K	39	1	100	25.9	60
LGS1014-473K	47	1	80	30.4	60
LGS1014-503K	50	1	80	37.8	50
LGS1014-563K	56	1	80	39.1	50
LGS1014-683K	68	1	50	40	50
LGS1014-823K	82	1	50	47	40
LGS1014-104K	100	1	120	50	40
LGS1014-124K	120	1	100	91	30
LGS1014-154K	150	1	90	140	20
LGS1014-184K	180	1	90	164	20
LGS1014-224K	220	1	90	182	20
LGS1014-274K	270	1	90	200	20
LGS1014-334K	330	1	80	275	15
LGS1014-394K	390	1	80	300	15
LGS1014-474K	470	1	80	345	15
LGS1014-564K	560	1	60	520	8.4
LGS1014-684K	680	1	60	590	8.4
LGS1014-824K	820	1	50	675	8.4
LGS1014-105K	1000	1	50	770	8.4
LGS1014-125K	1200	1	50	845	8.4



Dimension: mm

Part Number	A	B	C	D	E
LGS1009	11.0Max	9.5Max	5.0Min	5.0 ± 0.5	0.7
LGS1014	11.0Max	14.0Max	5.0Min	5.0 ± 0.5	0.7
LGS1216	12.5Max	16.0Max	5.0Min	5.0 ± 0.5	0.8
LGS1519	16.0Max	19.5Max	5.0Min	7.5 ± 0.5	0.8

- IDC Max: Determined when superimposed
 - Testing: (Equivalent acceptable) Inductance: HP4342A, HP4284A
 - RDC: QuadTech 1880 Milliohm meter
 - Q- HP4342A - SRF-HP4191A
 - DC current is decreased 10% against its initial value
 - Operating temperature: -40°C to +105°C
 - Storage Temperature: -40°C to +105°C
 - Solder methods: Vapor Phase, Infrared Reflow
 - Resistance to soldering heat: 260°C for 10 seconds
 - Solvent resistance: Conforms to MIL-STD-202E
 - Marking: Inductance & Tolerance
- Note: All specifications subject to change without notice.