



TRF SERIES

Through Hole Common Mode Toroidal Chokes

FEATURES

- 0.3A to 10A ratings
- 0.7mH to 100mH dual chokes
- Excellent Mechanical Strength
- 100KHz to 3MHz common mode resonance
- High Reliability and variant PCB-mount housing
- Low resistance and temperature rise

OPTIONS

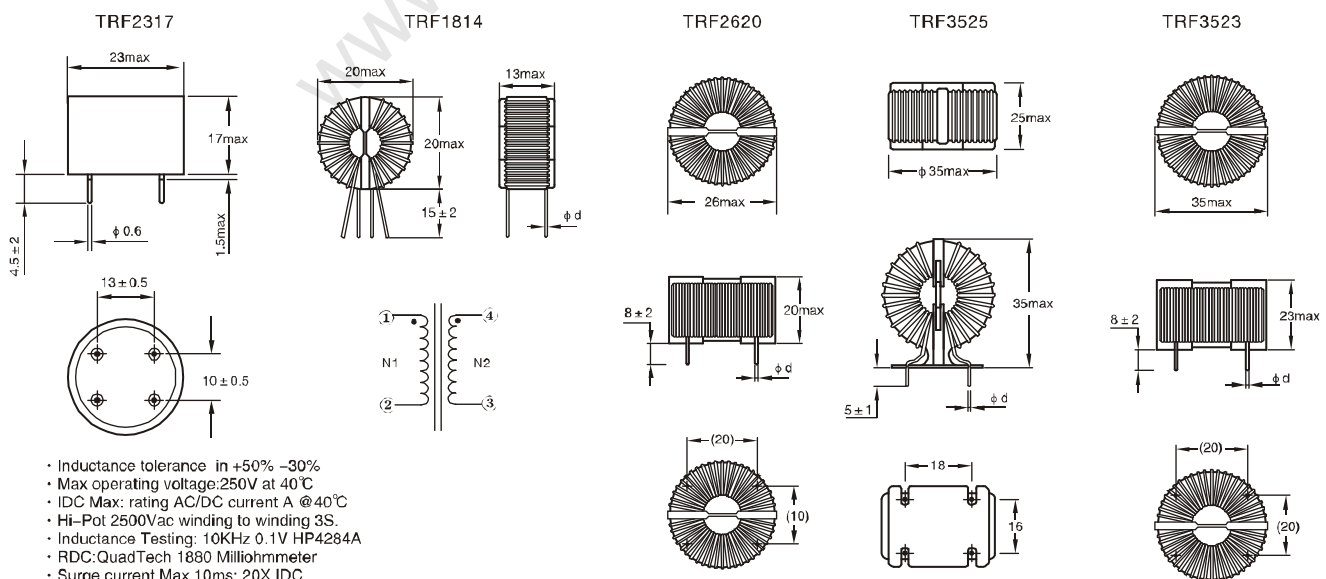
- Bulk packaging is standard
- Custom design available

APPLICATIONS

- DC/DC, AC/DC line noise suppression
- Communication System
- Automotive Systems
- LCD/PDPTelevisions

Computer Peripheral Equipment It accord with the standards of FCC VCCI CISPR FTZ,etc, eliminating of electromagnetic noise of power and signal circuit.

Part Number	Inductance L mH	DCR mOhm Max	IDC A max.	Ø d (mm)	Part Number	Inductance L mH	DCR mOhm Max	IDC A max.	Ø d (mm)
TRF1814-402Y	4	200	1.5	0.51	TRF3525-103Y	10	180	3.5	0.8
TRF1814-202Y	2.2	100	1.5	0.51	TRF3525-802Y	8	110	3.5	0.8
TRF1814-102Y	1	120	1.5	0.51	TRF3525-532Y	5.3	100	4.5	0.8
TRF1814-102Y	1	75	1	0.41	TRF3525-452Y	4.5	50	4	1
TRF2317-102Y	1	120	2.5	0.6	TRF3525-402Y	4	40	8	1.1
TRF2317-801Y	0.8	120	2.5	0.6	TRF3525-302Y	3	80	6	0.9
TRF2317-601Y	0.6	110	2.5	0.6	TRF3525-232Y	2.3	50	5	0.8
TRF2317-401Y	0.4	100	2.5	0.6	TRF3525-102Y	1	20	10	1.3
TRF2317-201Y	0.2	80	2.5	0.6	TRF3525-701Y	0.7	8	12	1.5
TRF2620-602Y	6	160	1.5	0.51	TRF3525-201Y	0.2	6	18	1.8
TRF2620-452Y	4.5	150	2	0.53	TRF3523-852Y	8.5	110	3	0.8
TRF2620-232Y	2.3	100	3	0.69	TRF3523-702Y	5	90	5	0.8
TRF2620-202Y	2	50	4	0.75	TRF3523-502Y	2.3	50	3.3	0.8
TRF2620-102Y	1.2	60	5	0.8	TRF3523-402Y	2	22	6.5	1
TRF2620-102Y	1	25	6	0.9	TRF3523-302Y	1.2	21	10	1.3
TRF2620-601Y	0.6	10	9	1	TRF3523-232Y	0.5	5	18	1.8
TRF2620-301Y	0.3	8	10	1.2	TRF3523-202Y	10	280	2	0.53
TRF3525-303Y	30	220	3	0.8	TRF3523-122Y	7	230	2.5	0.6
TRF3525-143Y	14	220	3.5	0.8	TRF3523-501Y	3	100	4	0.7



- Inductance tolerance in +50% -30%
 - Max operating voltage:250V at 40°C
 - IDC Max: rating AC/DC current A @ 40°C
 - Hi-Pot 2500Vac winding to winding 3S.
 - Inductance Testing: 10KHz 0.1V HP4284A
 - RDC:QuadTech 1880 Milliohmeter
 - Surge current Max 10ms: 20X IDC
 - Operating temperature: -40°C to +105°C
 - Storage Temperature: -40°C to +105°C
 - Resistance to soldering heat:260°C for 10 seconds
 - Marking: Part number and date code
- Note:All specifications subject to change without notice.

DIMENSIONS IN:mm