



AICT SERIES

High Frequency EMI Filter

01, 02, 03, 04

FEATURES

- High Frequency Design
- Against radiated noise
- High Reliability
- Auto insertion

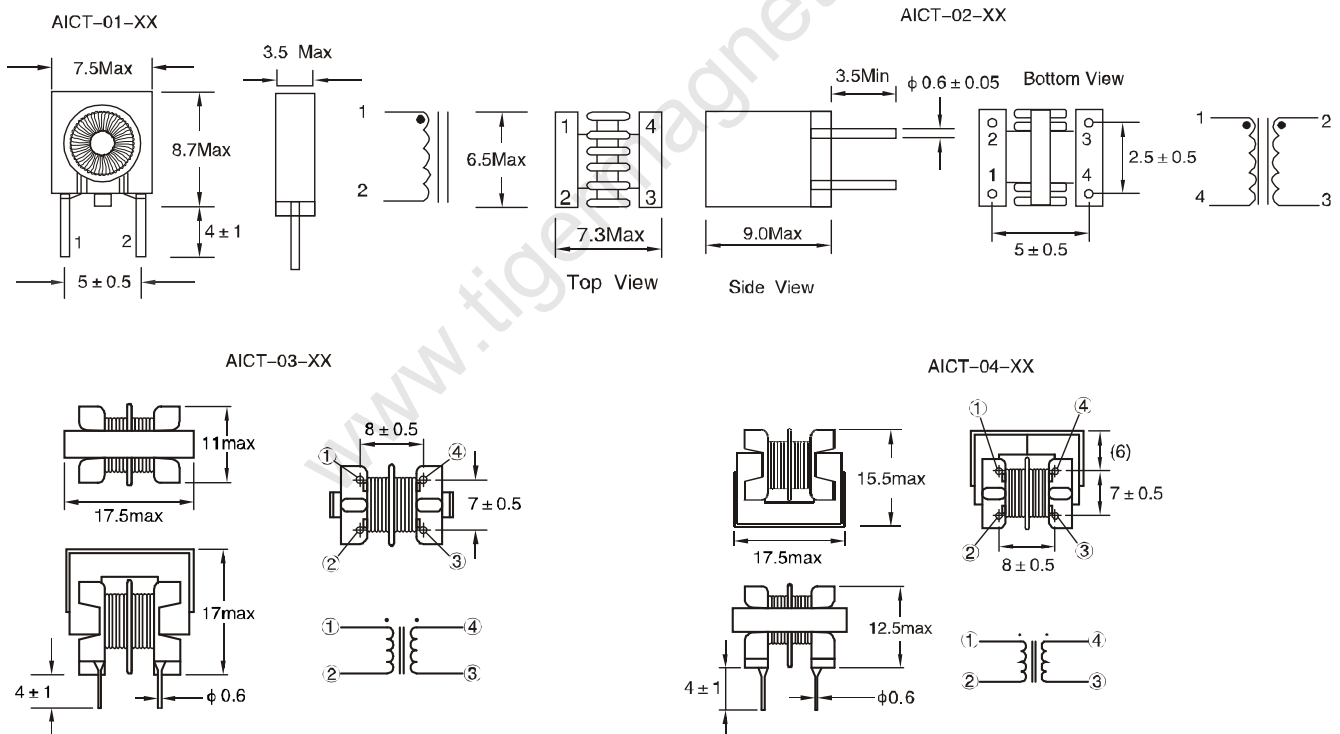
OPTIONS

- Tape & Reel is Standard
- Custom design available

APPLICATIONS

- PC, Word processors
- SMPS and switching AC adaptors
- Against CMC noise at composite
- Video signal dataline EMI suppression!

Part Number	Inductance 1KHZ, 1V μH ±35%	Rdc mOhm Max.	Turns Ratio ±0.2%	Insulation Resistance 100 Mohm min	Part Number	Inductance 1KHZ, 1V μH ±35%	Rdc mOhm Max.	Turns Ratio ±0.2%	Insulation Resistance 100 Mohm min
AICT-01-100M	10	20	-	500VDC	AICT-03-102M	1000	0.9	01:01	2500V
AICT-01-300M	30	30	-	500VDC	AICT-03-332M	3300	1.2	01:01	2500V
AICT-01-500M	50	30	-	500VDC	AICT-03-702M	7000	2.5	01:01	2500V
AICT-01-700M	70	34	-	500VDC	AICT-03-333M	33000	13.5	01:01	2500V
AICT-02-100M	10	50	01:01	500VDC	AICT-04-222M	2200	1	01:01	2500V
AICT-02-300M	30	50	01:01	500VDC	AICT-04-502M	5000	1.6	01:01	2500V
AICT-02-500M	50	60	01:01	500VDC	AICT-04-143M	14000	5.5	01:01	2500V
AICT-02-800M	80	60	01:01	500VDC	AICT-04-433M	43000	14.5	01:01	2500V



- Max operating voltage: 250V at 40°C
 - IDC Max: rating AC/DC current A @40°C
 - Hi-Pot 2500Vac winding to winding 3S.
 - Inductance Testing: 10KHz 0.1V HP4284A
 - RDC: QuadTech 1880 Milliohm meter
 - Surge current Max 10ms: 20X IDC
 - Soldering methods: Wave, Reflow
 - Operating Temperature: 0°C to 85°C
 - Storage Temperature: -25°C to 85°C
- Note: All specifications subject to change without notice.

All dimensions are in mm