



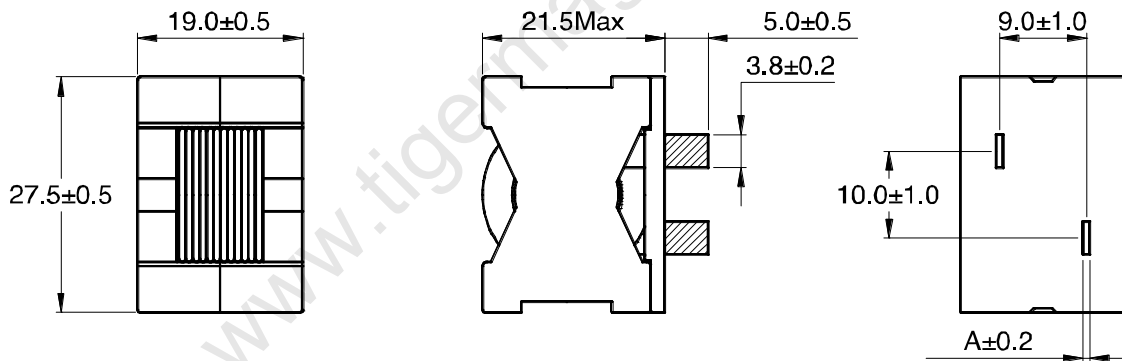
CPCF2919

High Current Inductor

FEATURES

- Assemblage design, sturdy structure.
- High inductance, high current, low magnetic loss, low ESR, small parasitic capacitance.
- Flat wire winding, achieve a low D.C. Resistance.
- Temperature rise current and saturation current is less influenced by environment.
- Operating temperature : -55°C ~ +150°C (Including coil's temperature rise).

Part No.	Dimension (mm)			Inductance (μH)	DCR (mΩ)		Saturation Current (A)	Temperature rise current (A)
	Length	Width	Height		Typical	Max		
CPCF2919-4R7MC	27.5	19.0	21.5	4.70	2.76	3.60	60.0	26.0
CPCF2919-5R6MC	27.5	19.0	21.5	5.60	2.76	3.60	49.0	26.0
CPCF2919-6R8MC	27.5	19.0	21.5	6.80	2.76	3.60	46.0	26.0
CPCF2919-100MC	27.5	19.0	21.5	10.0	3.70	4.80	32.0	24.0
CPCF2919-150MC	27.5	19.0	21.5	15.0	3.70	4.80	23.0	24.0
CPCF2919-220MC	27.5	19.0	21.5	22.0	4.80	6.20	18.0	22.0
CPCF2919-330MC	27.5	19.0	21.5	33.0	4.80	6.20	13.0	22.0
CPCF2919-470MC	27.5	19.0	21.5	47.0	4.80	6.20	9.00	22.0



Part No.	4R7 – 150	220 – 470
Dimension A	0.80	0.70
Dimension B	1.40	1.30

