



T74010 SERIES

6-12W, E16, Two Output, Flyback Transformer (Ferrite Core)

FEATURES

- Primary / Secondary Insulation $\geq 4000V$
- Primary Auxiliary Insulation $\geq 1500V$
- Creepage distances Primary / secondary $\geq 6mm$

OPTIONS

- Bulk packaging is standard
- Custom design available

APPLICATIONS

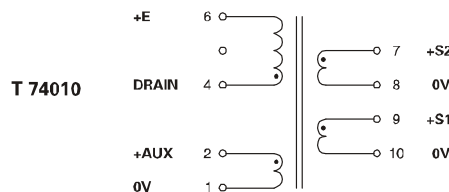
- AC-DC converters
- DC-DC converters
- Switch Power supplies
- SMPS: Flyback, Forward and Push-pull
- SMPS: Half Bridge and Full Bridge

Control IC Manufacturer	Control IC P/N	Input voltage	Power	Frequency
Fairchild	KA5H0165RN	185 - 265 Vrms	10W	100 kHz
Fairchild	KA5L0165R	85 - 265 Vrms	7W	50 kHz
Infineon	TDA16831	92 - 265 Vrms	7.5W	100 kHz
Infineon	TDA16831	185 - 265 Vrms	10W	100 kHz
Motorola	MC33369	85 - 265 Vrms	8W	100 kHz
Motorola	MC33369	185 - 265 Vrms	10W	100 kHz
Power Integrations	TNY267	185 - 265 Vrms	12W	132 kHz
Power Integrations	TOP242P	85 - 265 Vrms	10W	132 kHz
Power Integrations	TOP242P	185 - 265 Vrms	12W	132 kHz
Power Integrations	TOP242P	85 - 265 Vrms	10W	132 kHz
ST Microelectronics	VI Per20	85 - 265 Vrms	8W	70 kHz
ST Microelectronics	VI Per20	185 - 265 Vrms	10W	70 kHz

SIZE E16 - 2 OUTPUTS : 5 & 12V - FLYBACK TRANSFORMER

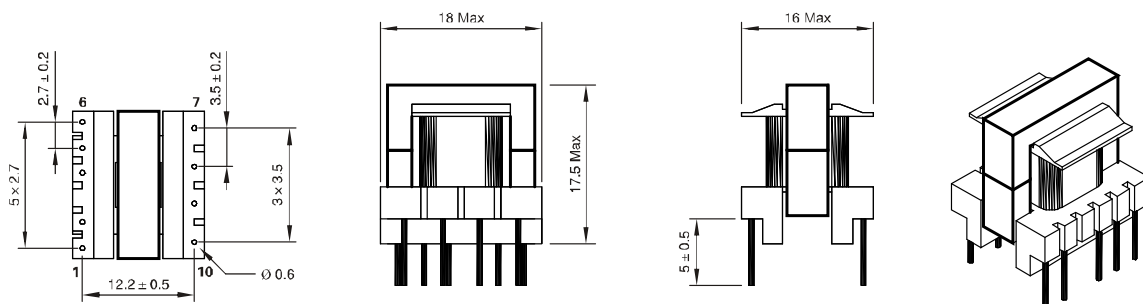
Part Number	Output Power Max	Windings					Inductance ($\pm 10\%$)
			Pins	Turns	Voltage	Current max	
T74010	12W	Pri	4-6	120	60-125 (VOR)	0.55 Apeak	1660 μ H
		Aux	2-1	14	7-14 Vdc	0.1 Adc	
		S1	9-10	7	3.3-7 Vdc	2 Adc	
		S2	7-8	17	8-17 Vdc	1 Adc	

- Ambient temperature $< 50^{\circ}C$
- Construction conforms to CEI950, CEI335, CEI61558 for reinforced insulation
- Exclusively uses UL94V-0 listed materials



Note: Regulation with auxiliary winding

Note: PIN 3 Removed, PCB Drilling Diameter = 1.1 mm



All dimensions in mm



T74010 SERIES

6-12W, E16, Two Output, Flyback Transformer (Ferrite Core)

FEATURES

- Primary / Secondary Insulation $\geq 4000V$
- Primary Auxiliary Insulation $\geq 1500V$
- Creepage distances Primary / secondary $\geq 6mm$

OPTIONS

- Bulk packaging is standard
- Custom design available

APPLICATIONS

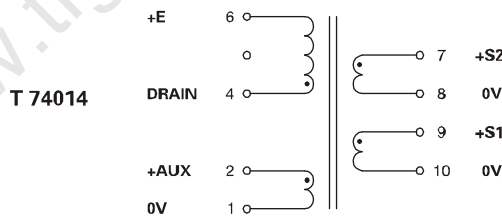
- AC-DC converters
- DC-DC converters
- Switch Power supplies
- SMPS: Flyback, Forward and Push-pull
- SMPS: Half Bridge and Full Bridge

Control IC Manufacturer	Control IC P/N	Input voltage	Power	Frequency
Power Integrations	TNY266	185 - 265 Vrms	12W	132 kHz
Power Integrations	TNY266	85 - 265 Vrms	8W	132 kHz
Power Integrations	TNY242P	185 - 265 Vrms	12W	132 kHz
Power Integrations	TNY242P	85 - 265 Vrms	8W	132 kHz

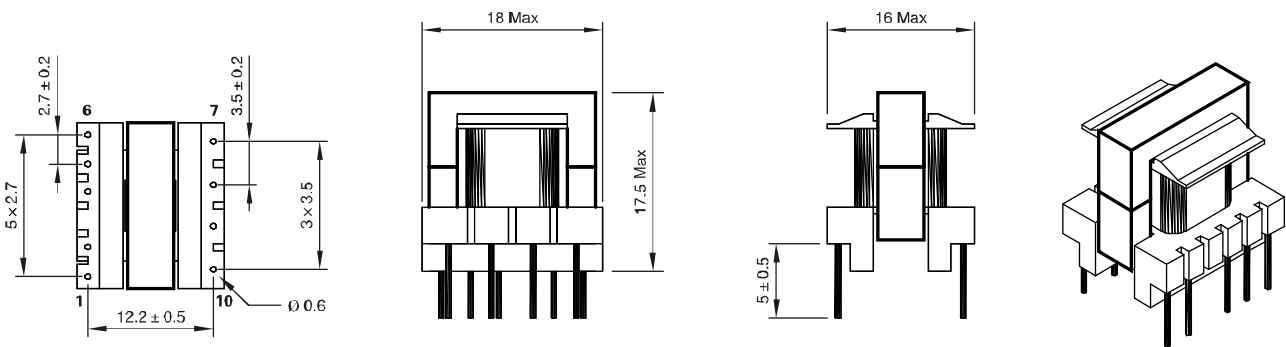
SIZE E16 - 2 OUTPUTS : 5 & 12V - FLYBACK TRANSFORMER							
Part Number	Output Power max	Windings					Inductance ($\pm 10\%$)
			Pins	Turns	Voltage	Current max	
T 74014	12W	Pri	4-6	120	70-140 (VOR)	0.5 Apeak	1800 μ H
		Aux	2-1	14	9-18 Vdc	0.2 Adc	
		S1	9-10	27	15-30 Vdc	0.4 Adc	
		S2	7-8	27	15-30 Vdc	0.4 Adc	

- Ambient temperature $< 50^{\circ}C$
- Construction conforms to CEI950, CEI335, CEI61558 for reinforced insulation
- Exclusively uses UL94V-0 listed materials

- Typical outputs : + 24V 0.5A with S1 - S2 in parallel
- + 48V 0.25A with S1 - S2 in series (8-9 connected)
- $\pm 15V$ 0.4A with pins 8-9 connected to 0V



Note: PIN 3 Removed, PCB Drilling Diameter = 1.1mm



All dimensions in mm