



T74015 SERIES

6-12W, E16, Three Output, Flyback Transformer (Ferrite Core)

FEATURES

- Primary / Secondary Insulation $\geq 4000V$
- Primary Auxiliary Insulation $\geq 1500V$
- Creepage distances Primary / secondary $\geq 6mm$

OPTIONS

- Bulk packaging is standard
- Custom design available

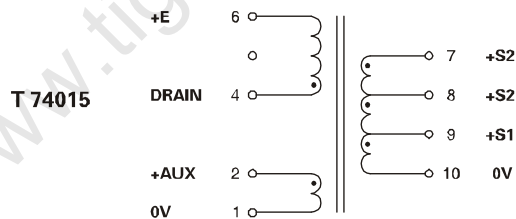
APPLICATIONS

- AC-DC converters
- DC-DC converters
- Switch Power supplies
- SMPS: Flyback, Forward and Push-pull
- SMPS: Half Bridge and Full Bridge

Control IC Manufacturer	Control IC P/N	Input voltage	Power	Frequency
Power Integrations	TNY266	185 - 265 Vrms	10W	132 kHz
Power Integrations	TNY266	85 - 265 Vrms	8W	132 kHz
Power Integrations	TOP242P	185 - 265 Vrms	12W	132 kHz
Power Integrations	TOP242P	85 - 265 Vrms	9W	132 kHz

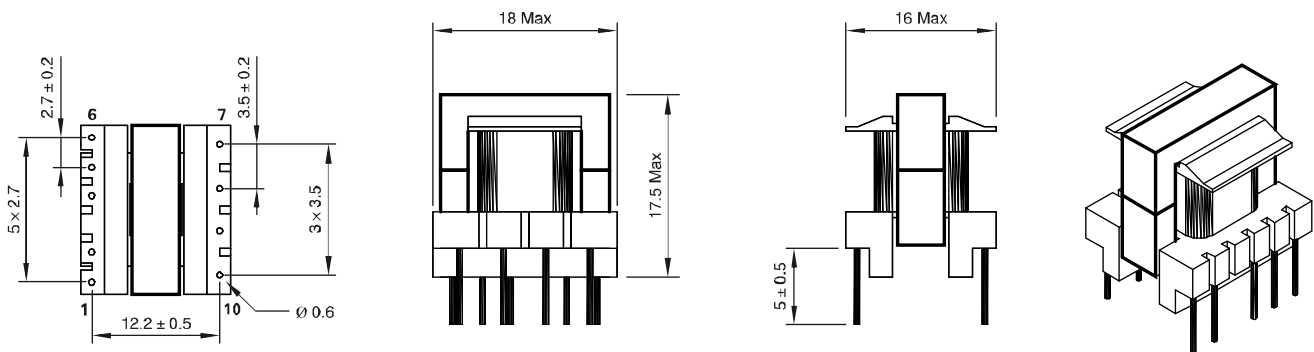
SIZE E16 - 2 OUTPUTS : 5 & 12V - FLYBACK TRANSFORMER							
Part Number	Output Power Max.	Windings					Inductance ($\pm 10\%$)
			Pins	Turns	Voltage	Current max	
T 74015	12W	Pri	4-6	120	110 (VOR)	0.5 Apeak	1800 μ H
		Aux	2-1	14	12 Vdc	0.2 Adc	
		S1	9-10	6	5 Vdc	1.5 Adc	
		S2	8-10	17	15 Vdc	0.6 Adc	
		S3	7-10	27	24 Vdc	0.4 Adc	

- Ambient temperature $< 50^{\circ}C$
- Construction conforms to CEI950, CEI335, CEI61558 for reinforced insulation
- Exclusively uses UL94V-0 listed materials



Note: Regulation with auxiliary winding

Note: PIN 3 Removed, PCB Drilling Diameter = 1.1mm



All dimensions in mm