



T74080, T74082 SERIES

12-24W, EF20, Two Output, Flyback Transformer (Ferrite Core)

FEATURES

- Primary / Secondary Insulation $\geq 4000V$
- Primary Auxiliary Insulation $\geq 1500V$
- Creepage distances Primary / secondary $\geq 8mm$

OPTIONS

- Bulk packaging is standard
- Custom design available

APPLICATIONS

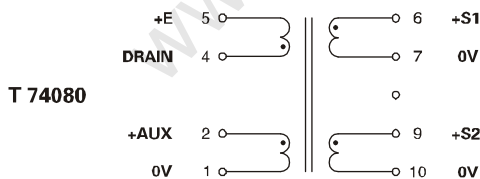
- AC-DC converters
- DC-DC converters
- Switch Power supplies
- SMPS: Flyback, Forward and Push-pull
- SMPS: Half Bridge and Full Bridge

Part No.	Control IC Manufacturer	Control IC P/N	Input voltage	Power	Frequency
T 74080	Power Integrations	TOP243P	185-265 Vrms	24W	132 kHz
	Power Integrations	TOP243P	85-265 Vrms	15W	132 kHz
T 74082	Power Integrations	TNY268	185-265 Vrms	17W	132 kHz
	Power Integrations	TOP243P	185-265 Vrms	20W	132 kHz
	Power Integrations	TOP243P	85-265 Vrms	14W	132 kHz

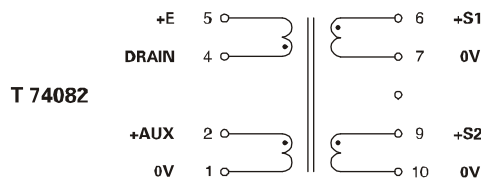
SIZE EF20 2 OUTPUTS : 5 /5v or 12/12v - FLYBACK TRANSFORMER

Part Number	Output Power Max.	Windings					Inductance ($\pm 10\%$)
			Pins	Turns	Voltage	Current max	
T74080	24W	Pri	4-5	86	80-135 (VOR)	1.0 Apeak	1000 μ H
		Aux	2-1	12	11- 8 Vdc	0.3 Adc	
		S1	6-7	10	9- 5 Vdc	1.5 Adc	
		S2	9-10	10	9-15 Vdc	1.5 Adc	
T74082	20W	Pri	4-5	86	30-135 (VOR)	0.9 Apeak	1300 μ H
		Aux	2-1	12	7-18 Vdc	0.3 Adc	
		S1	6-7	5	3-7.5 Vdc	2.0 Adc	
		S2	9-10	5	3 - 7.5 Vdc	2.0 Adc	

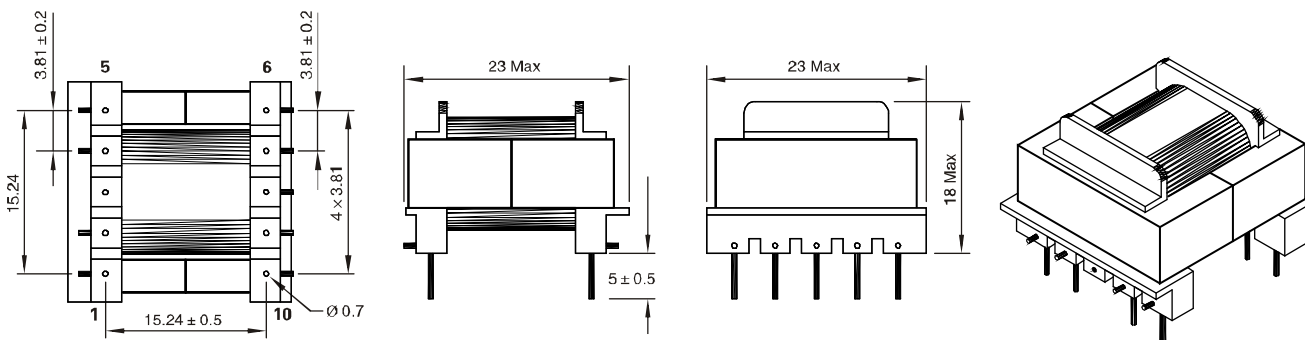
- Ambient temperature $< 50^{\circ}C$
- Construction conforms to CEI950, CEI335, CEI61558 for reinforced insulation
- Exclusively uses UL94V-0 listed materials



Note: S1 and S2 can be connected in series or in parallel



Note: PIN 3 Removed, PCB Drilling Diameter = 1.2mm



Note: All dimensions in mm