



T74081 SERIES

12-24W, EF20, Three Output, Flyback Transformer (Ferrite Core)

FEATURES

- Primary / Secondary Insulation $\geq 4000V$
- Primary Auxiliary Insulation $\geq 1500V$
- Creepage distances Primary / secondary $\geq 8mm$

OPTIONS

- Bulk packaging is standard
- Custom design available

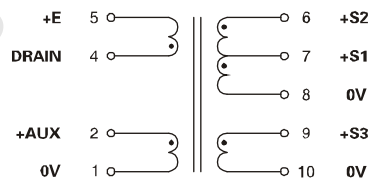
APPLICATIONS

- AC-DC converters
- DC-DC converters
- Switch Power supplies
- SMPS: Flyback, Forward and Push-pull
- SMPS: Half Bridge and Full Bridge

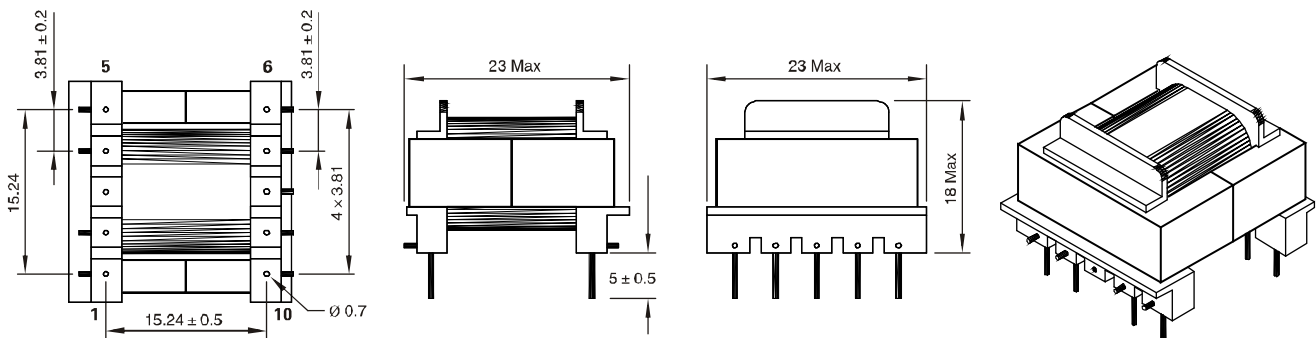
Part No.	Control IC Manufacturer	Control IC P/N	Input voltage	Power	Frequency
T 74081	Power Integrations	TOP243P	185-265 Vrms	20W	132 kHz
	Power Integrations	TOP243P	85-265 Vrms	12W	132 kHz

SIZE EF20 3 OUTPUTS : 5 /5v or 12/12v - FLYBACK TRANSFORMER							
Part Number	Output Power Max.	Windings					Inductance ($\pm 10\%$)
			Pins	Turns	Voltage	Current Max.	
T 74081	20W	Pri	4-5	80	75 (VOR)	0.9 Apeak	1100 μ H
		Aux	2-1	17	15 Vdc	0.3 Adc	
		S1	7-8	4	3.3 Vdc	3 Adc	
		S2	6-8	6	5 Vdc	sum S1+S2	
		S3	9-10	14	12 Vdc	1.3 Adc	

- Ambient temperature $< 50^{\circ}C$
- Construction conforms to CEI950, CEI335, CEI61558 for reinforced insulation
- Exclusively uses UL94V-0 listed materials



Note: PIN 3 Removed, PCB Drilling Diameter = 1.2mm



Note: All dimensions in mm