



T74070 SERIES

120-180W, ETD44, Four Output, Flyback Transformer (Ferrite Core)

FEATURES

- Primary / Secondary Insulation $\geq 4000V$
- Primary Auxiliary Insulation $\geq 1500V$
- Creepage distances Primary / secondary $\geq 8mm$

OPTIONS

- Bulk packaging is standard
- Custom design available

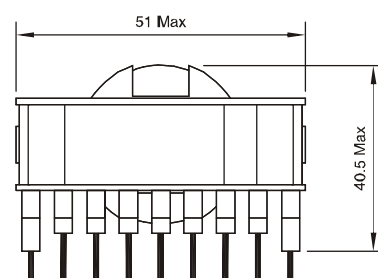
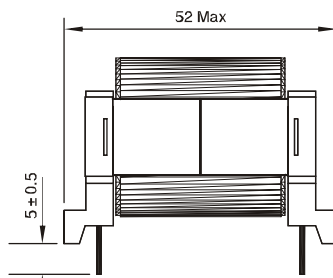
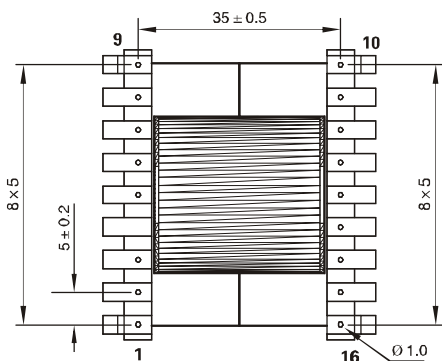
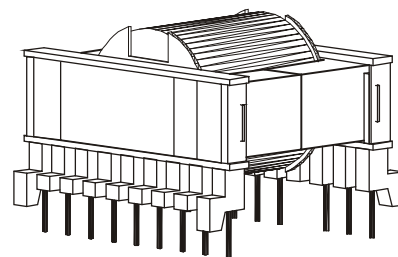
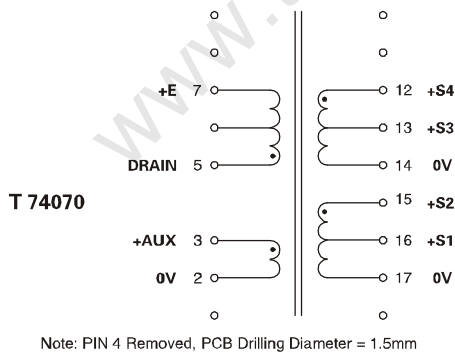
APPLICATIONS

- AC-DC converters
- DC-DC converters
- Switch Power supplies
- SMPS: Flyback, Forward and Push-pull
- SMPS: Half Bridge and Full Bridge

Control IC Manufacturer	Control IC P/N	Input voltage	Power	Frequency
Onsemi	KA2S0965	185-265Vrms	160W	100 kHz
Infineon	TDA16837	185-265Vrms	160W	100 kHz
Nexperia	TEA1566	185-265Vrms	120W	50 kHz
Power Integrations	TOP248Y	185-265Vrms	180W	66 or 132 kHz
Power Integrations	TOP249Y	85-265Vrms	120W	66 kHz

SIZE ETD44 - 4 OUTPUTS : 5 + 12 / 5 + 12v - FLYBACK TRANSFORMER							
Part Number	Output Power Max.	Windings					Inductance ($\pm 10\%$)
			Pins	Turns	Voltage	Current max	
T 74070	180W	Pri	5-7	38	65-125(VOR)	8 Apeak	300 μ H
		Aux	3-2	4	7-14 Vdc	0.5 Adc	
		S1	16-17	2	3.3-6.5	6 Adc	
		S2	15-17	5	8.5-17 Vdc	5 Adc	
		S3	13-14	2	3.3-6.5	6 Adc	
		S4	12-14	5	8.5-17 Vdc	5 Adc	

- Ambient temperature $< 50^{\circ}C$
- Construction conforms to CEI950, CEI335, CEI61558 for reinforced insulation
- Exclusively uses UL94V-0 listed materials



Note: All dimensions in mm