



AT802 SERIES

Surface Mount Line Matching Transformer

FEATURES

- Subminiature in SMT
- 7.36mm seated height
- Tested at 4600 Vrms, 1 minute
- Distortion of only 0.015%
- Vacuum encapsulated
- UL60950 certified

OPTIONS

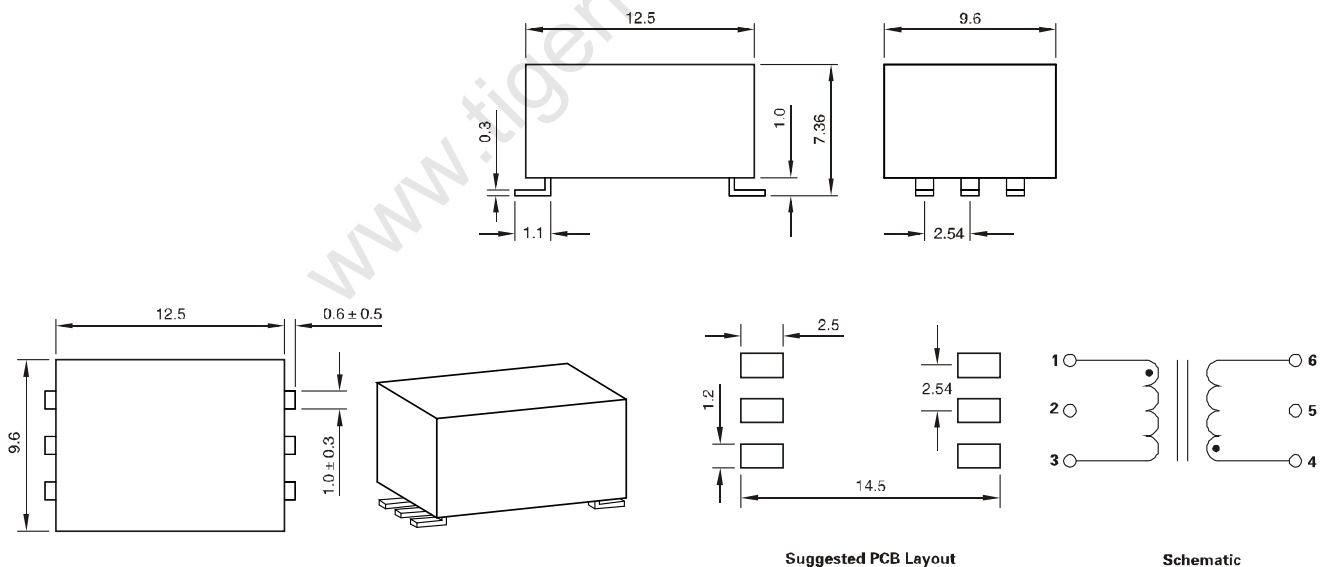
- Tape and reel is standard (400 pcs. per reel)
- Bulk packaging available for Smaller quantities
- Custom design available
- Tolerance: 5% is standard, Tighter tolerance available

APPLICATIONS

- Modems(V32)
- Laptop Computer
- Telecommunications
- Instrumentation
- PCMCIA

Nominal Impedance:	600 Ohm	Primary:	136 Ohm ±12%
Turns Ratio:	1:1	Secondary:	136 Ohm ±12%
Insertion Loss:	2.0dB max. at 2kHz	Shunt Inductance:	3.8H min.
Frequency Response:	±0.25dB max. 200-4kHz	Shunt:	7500 Ohm min.
Return Loss:	24dB min. 200-4kHz*	Leakage Inductance:	6-7mH typ. @1kHz
Balance:	80dB min.	Power Level:	10dBm
Distortion:	-85dB max. 4:0600Hz, -10dBm	Operating Temperature:	-20°C ~ +85°C
Dielectric Strength:	4600 Vrms for 1 min.	Storage Temperature:	-40°C ~ +85°C
Insulation Resistance:	100M ohm @500V	Terminal Plating Material:	AgSn
DC Resistance **			

- For use with recommended circuit (BS6305 impedance Class A non-speech or Class B speech)
- AT802 is symmetrical, meaning there is no real primary nor secondary winding.



Note: All Dimensions in mm

Note: All Dimensions in mm