



# TUI3910 SERIES

## 14W UI39\*10.2 - 50/60Hz PCB Mount Transformer

**FEATURES**

- 115 V-230 V supply voltage by serie/parallel connection
- Vacuum filling
- Two compartments bobbins
- Degree of protection IP00

**OPTIONS**

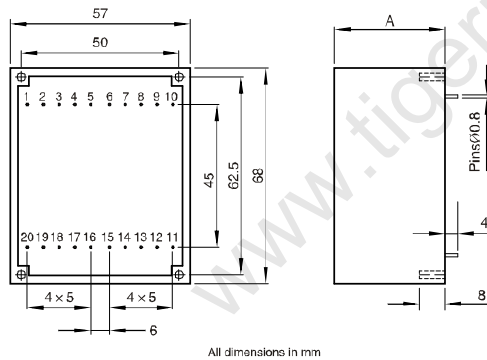
- Bulk packaging is standard
- Custom design available

**APPLICATIONS**

- Medical equipments
- Industrial equipments
- Industrial controls
- Test equipment
- Industrial computers
- Avionics & telecom

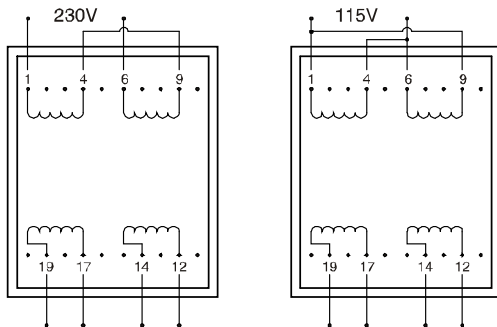
PRIMARY VOLTAGE: 115-230V				
Part	Secondary Voltage (V)	Secondary Current mA	No-load Voltage (V)	Ambient Temperature °C
TUI 391043	2 x 6	2 x 1167	2 x 7.5	T50B
TUI 391044	2 x 9	2 x 778	2 x 10.9	T50B
TUI 391045	2 x 12	2 x 583	2 x 15.0	T50B
TUI 391046	2 x 15	2 x 467	2 x 18.7	T50B
TUI 391047	2 x 18	2 x 389	2 x 22.4	T50B
TUI 391048	2 x 24	2 x 292	2 x 30.2	T50B

- Resin class UL94V0
- Fuse protection in secondary winding (see diagram)
- Insulation voltage 4 KV
- 100% tested production
- Conform to EN 61558 Approval under process



CIRCUIT	RATING	DIMENSION:A	WEIGHT(g)
UI39 x 8	10VA	A=22mm	285
UI39 x 10.2	14VA	A=24mm	335
UI39 x 13.5	18VA	A=27mm	405
UI39 x 17	24VA	A=31mm	260
UI39 x 21	30VA	A=35mm	550

Possible primary connections



Possible secondary connections

