



# TUI3917 SERIES

## 24W UI39\*17 - 50/60Hz PCB Mount Transformer

### FEATURES

- 115 V-230 V supply voltage by serie/parallel connection
- Vacuum filling
- Two compartments bobbins
- Degree of protection IP00

### OPTIONS

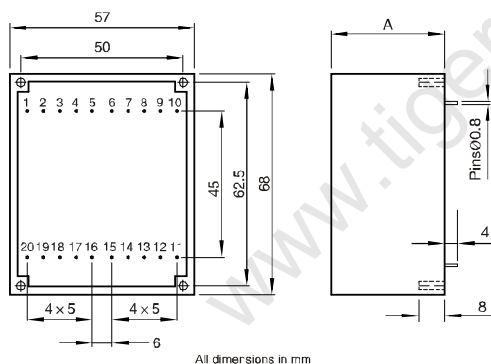
- Bulk packaging is standard
- Custom design available

### APPLICATIONS

- Medical equipments
- Industrial equipments
- Industrial controls
- Test equipment
- Industrial computers
- Avionics & telecom

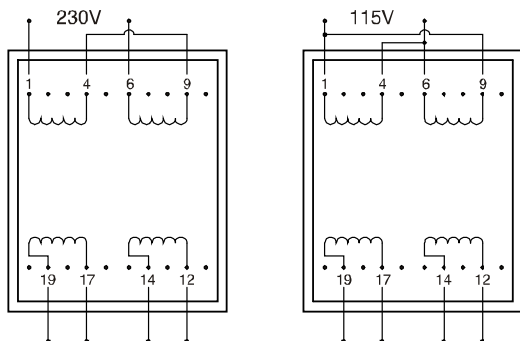
PRIMARY VOLTAGE: 230				
Part	Secondary Voltage (V)	Secondary Current mA	No-load Voltage (V)	Ambient Temperature °C
TUI 391755	2 x 6	2 x 2000	2 x 7.1	T50B
TUI 391756	2 x 9	2 x 1333	2 x 10.6	T50B
TUI 391757	2 x 12	2 x 1000	2 x 14.1	T50B
TUI 391758	2 x 15	2 x 800	2 x 17.6	T50B
TUI 391759	2 x 18	2 x 667	2 x 21.2	T50B
TUI 391760	2 x 24	2 x 500	2 x 28.3	T50B

- Resin class UL94V0
- Fuse protection in secondary winding (see diagram)
- Insulation voltage 4 KV
- 100% tested production
- Conform to EN 61558 Approval under process



CIRCUIT	RATING	DIMENSION:A	WEIGHT(g)
UI39 x 8	10VA	A=22mm	285
UI39 x 10.2	14VA	A=24mm	335
UI39 x 13.5	18VA	A=27mm	405
UI39 x 17	24VA	A=31mm	260
UI39 x 21	30VA	A=35mm	550

Possible primary connections



Possible secondary connections

