



TUI3921 SERIES

30W UI39*21 - 50/60Hz PCB Mount Transformer

FEATURES

- 115 V-230 V supply voltage by serie/parallel connection
- Vacuum filling
- Two compartments bobbins
- Degree of protection IP00

OPTIONS

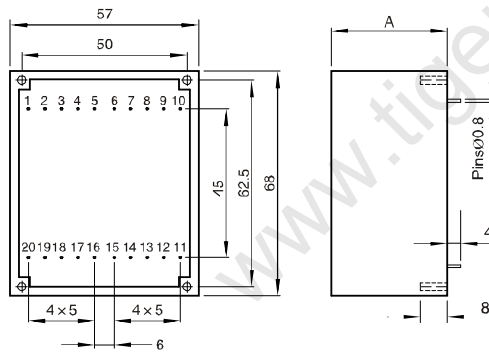
- Bulk packaging is standard
- Custom design available

APPLICATIONS

- Medical equipments
- Industrial equipments
- Industrial controls
- Test equipment
- Industrial computers
- Avionics & telecom

| PRIMARY VOLTAGE: 115-230 | | | | |
|--------------------------|-----------------------|----------------------|---------------------|------------------------|
| Part Number | Secondary Voltage (V) | Secondary Current mA | No-load Voltage (V) | Ambient Temperature °C |
| TUI 392161 | 2 x 6 | 2 x 2500 | 2 x 6.7 | T50B |
| TUI 392162 | 2 x 9 | 2 x 1667 | 2 x 10.15 | T50B |
| TUI 392163 | 2 x 12 | 2 x 1250 | 2 x 13.5 | T50B |
| TUI 392164 | 2 x 15 | 2 x 1000 | 2 x 16.8 | T50B |
| TUI 392165 | 2 x 18 | 2 x 883 | 2 x 20.2 | T50B |
| TUI 392166 | 2 x 24 | 2 x 625 | 2 x 27.0 | T50B |

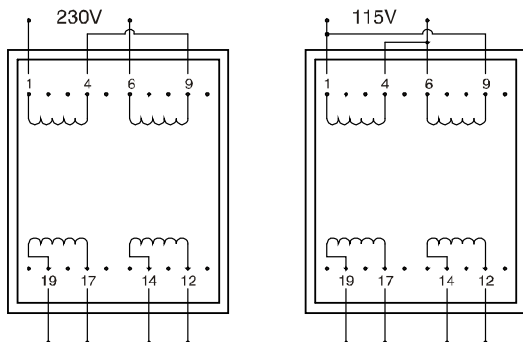
- Resin class UL94V0
- Fuse protection in secondary winding (see diagram)
- Insulation voltage 4 KV
- 100% tested production
- Conform to EN 61558 Approval under process



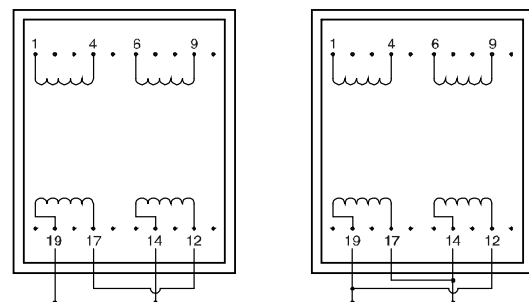
All dimensions in mm

| CIRCUIT | RATING | DIMENSION:A | WEIGHT(g) |
|-------------|--------|-------------|-----------|
| UI39 x 8 | 10VA | A=22mm | 285 |
| UI39 x 10.2 | 14VA | A=24mm | 335 |
| UI39 x 13.5 | 18VA | A=27mm | 405 |
| UI39 x 17 | 24VA | A=31mm | 260 |
| UI39 x 21 | 30VA | A=35mm | 550 |

Possible primary connections



Possible secondary connections



Secondary Voltage doubled

Double the Secondary current