



# TUI4826 SERIES

## 60W UI48\*26 - 50/60Hz PCB Mount Transformer

### FEATURES

- 115 V-230 V supply voltage by serie/parallel connection
- Vacuum filling
- Two compartments bobbins
- Degree of protection IP00

### OPTIONS

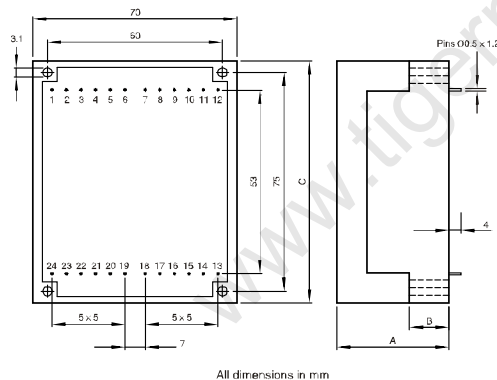
- Bulk packaging is standard
- Custom design available

### APPLICATIONS

- Medical equipments
- Industrial equipments
- Industrial controls
- Test equipment
- Industrial computers
- Avionics & telecom

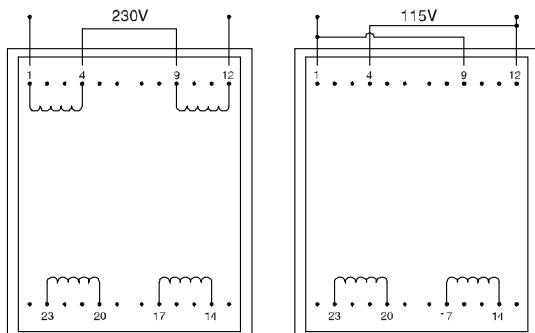
PRIMARY VOLTAGE: 115-230				
Part	Secondary Voltage (V)	Secondary Current mA	No-load Voltage (V)	Ambient Temperature °C
TUI 482673	2 x 6	2 x 5000	2 x 6.6	T50B
TUI 482674	2 x 9	2 x 3333	2 x 9.9	T50B
TUI 482675	2 x 12	2 x 2500	2 x 13.1	T50B
TUI 482676	2 x 15	2 x 2000	2 x 16.4	T50B
TUI 482677	2 x 18	2 x 1667	2 x 19.7	T50B
TUI 482678	2 x 24	2 x 1250	2 x 26.3	T50B

- Resin class UL94V0
- Fuse protection in secondary winding (see diagram)
- 100% tested production
- Conform to EN 61558 Approval under process
- UL 506 approved



CIRCUIT	RATING	A	B	C	WEIGHT(g)
UI39 x 8	10VA	38.5	13.5	83	285
UI39 x 10.2	14VA	48.5	14.5	86	335

Possible primary connections



Possible secondary connections

