



SF0503, 0602 SERIES

Shielded SMD Power Inductors

FEATURES

- Low profile very effective in space conscious applications
- Low resistance filters have been designed for excellent electrical isolation
- High quality toroidal core
- Wide frequency range over 1000MHz
- Lead free construction

OPTIONS

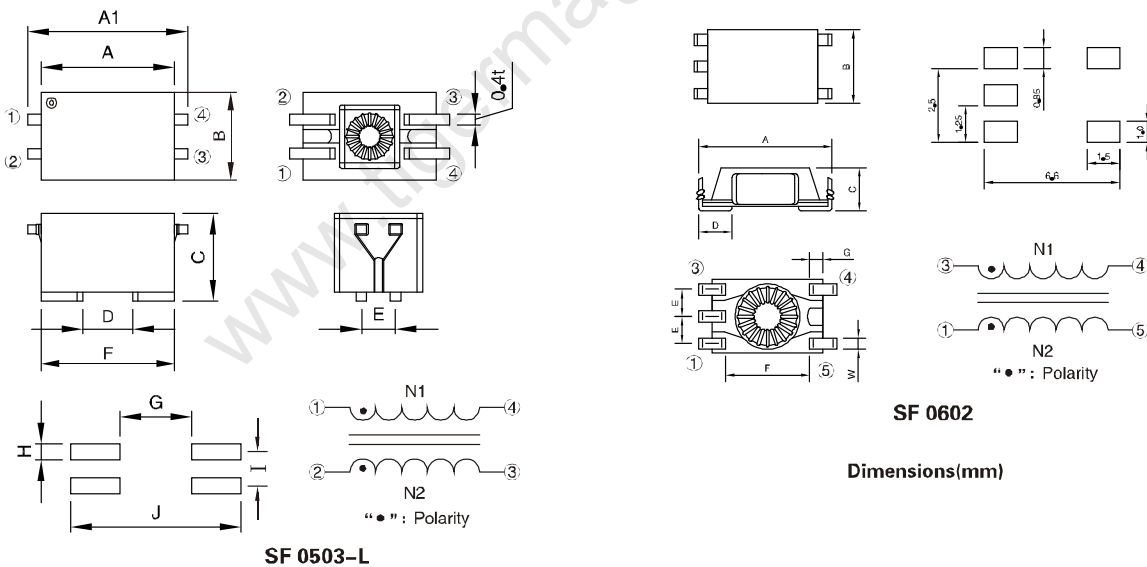
- Tape & Reel is Standard (Qty:0503:500pcs, 0602:1000pcs)
- Bulk packaging Available for Smaller Quantities

APPLICATIONS

- Provide common mode noise attenuation
- Reduce conducted noise
- For the suppression of EMI in data lines and signal lines, e.g., CAN Bus

Part Number	L1, L2 @10KHz 0.1V rms μH +50 \pm -30%	Freq. Range μH	Impedance min. Ohm	DCR Ohm Each Winding		Rated Current mA
				max	typ	
SF0503						
110YL	11	100-500	450	0.180	0.130	100
220YL	22	40-300	900	0.230	0.170	100
330YL	33	30-250	1000	0.270	0.200	100
500YL	50	20-150	1400	0.320	0.240	100

Part Number	L μH	L-L μH max.	DCR Ohm max. N1=N2	Rated Current mA	Impedance(Z)	
					Freq. Range MHz	Min. Ohm
SF0602						
100YL	10 \pm 50%	1	0.240	300	350-570	600
470YL	47 \pm 50%	4	2.160	300	4-1600	140
820YL	82 \pm 50%	4	2.200	300	3-850	220
101YL	100 \pm 50%	8	0.220	300	3-660	260
181YL	180 \pm 50%	8	0.250	300	3-250	500
221YL	220 \pm 50%	10	0.280	300	3-210	600
331YL	330 \pm 50%	10	0.300	300	3-120	900



Materials:

1. Core: Ferrite Core(0503), Ferrite Toroidal Core(0602)
2. Wire: Enamelled Copper Wire(Class F)
3. Base: LCP (UL 94V-0)(0503), LCP(0602)
4. Terminal: Cu / Ni / Sn
5. Adhesive: Epoxy Resin

General Specification:

1. Storage Temperature: -40°C - +125°C(0503), -40°C - +85°C(0602)
2. Operation Temperature: -40°C - +105°C(0503), -40°C - +85°C(0602)
3. Temperature Rise Included: 25°C max(0503), 20°C max(0602) at Rated Current
4. Resistance to solder heat: 260°C, 10 secs.

Series	A	B	C	D	E	F	G	W
SF0602L	6.50 max	3.60 \pm 0.15	1.65 \pm 0.15	0.90min	1.25 \pm 0.10	3.4 \pm 0.2	0.8max	0.55 + 0.10

Series	A1	A	B	C	D	E	F	G	H	I	J
SF0503L	6.00 \pm 0.3	5.00 \pm 0.3	3.30 \pm 0.3	3.30 \pm 0.2	3.10 typ.	1.27 typ.	5.00 typ.	2.70 typ.	0.60ref.	1.27ref.	6.40ref.