



STR1206-0603 SERIES

SMD Toroidal Common Mode Choke

FEATURES

- SMD Housing
- High Frequency Design
- Excellent Mechanical Strength
- Excellent Solderability
- High Reliability
- Low Profile

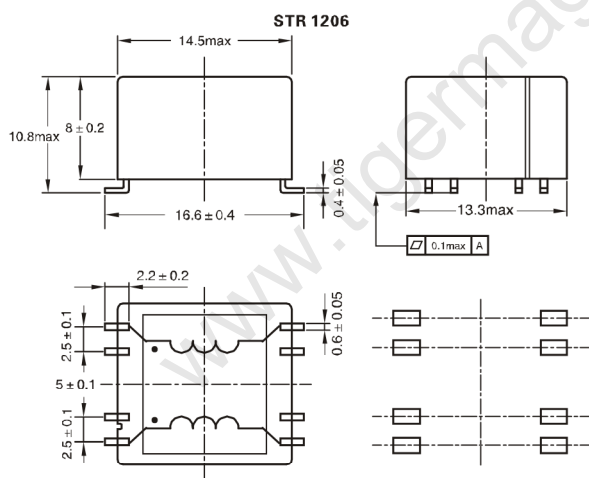
OPTIONS

- Packaging:Tape & Reel is standard (Qty:2000pcs)
- Bulk packaging available for smaller quantities
- Tolerance:10% and 5% is standard
- Lower tolerances available

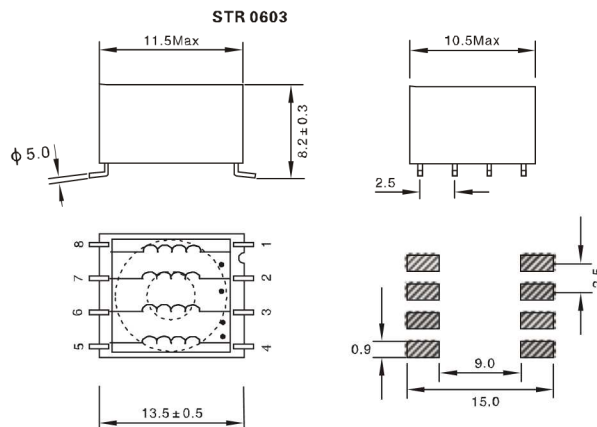
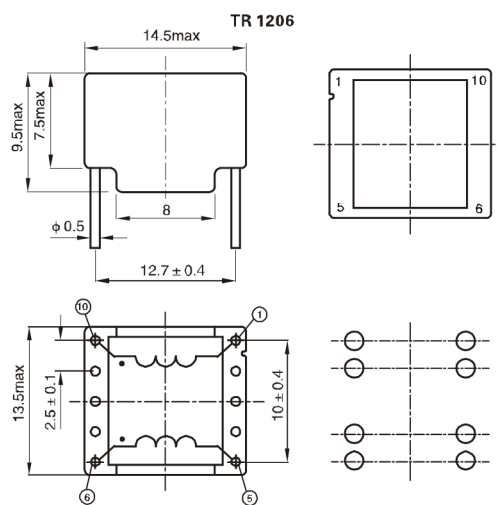
APPLICATIONS

- VCRs
- Video Cameras
- Communication System
- Automotive Systems
- LCD TV
- Hard Disk Drives
- Network Systems
- Computer Peripheral Equipment

Part Number	L mH	Test Freq. KHz	DCR Ohm Max.	IDC A Max.	Part Number	L mH	Test Freq. KHz	DCR Ohm Max.	IDC A Max.
STR1206-123Y	12.0	1	1.15	0.3	TR1206-123Y	12.0	1	1.15	0.3
STR1206-442Y	4.4	1	0.43	0.6	TR1206-442Y	4.4	1	0.43	0.6
STR1206-302Y	3.0	1	0.23	1.0	TR1206-302Y	3.0	1	0.23	1.0
STR1206-112Y	1.1	1	0.07	2.0	TR1206-112Y	1.1	1	0.07	2.0
STRO603-102Y	1.0	1	0.82	0.5					
STRO603-501Y	0.5	1	0.45	0.6					
STRO603-221Y	0.22	1	0.22	0.8					
STRO603-151Y	0.15	1	0.15	1.0					



DIMENSIONS:mm
Unless otherwise specified all tolerances are 60.25



- IDC Max:Determined when superimposed
 - Testing: (Equivalent acceptable) Inductance:HP4284A
RDC:QuadTech 1880 Milliohm meter
 - Operating temperature: -40°C to +105°C
 - Storage Temperature: -40°C to +105°C
 - Solder methods: Vapor Phase,Infrared Reflow
 - Resistance to soldering heat:260°C for 10 seconds
 - Solvent resistance: Conforms to MIL-STD-202E
 - Marking: Inductance & Tolerance
- Note:All specifications subject to change without notice.