



# LGA-0204 SERIES

## Through Hole Axial Conformal Coated Inductor

### FEATURES

- Ferrite Core
- Wire-wound construction
- Heat resistant epoxy resin
- High reliability
- Ideal for automatic insertion
- Small size , Low Cost

### OPTIONS

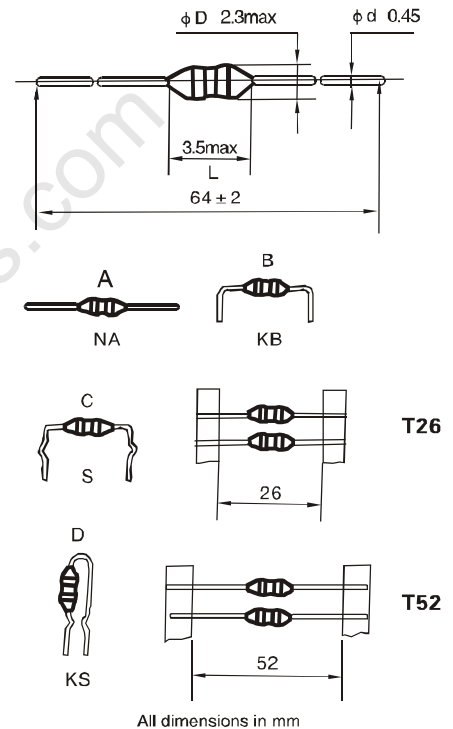
- Packaging: Tape & Reel is Standard (Qty: 5000 pcs)
- Bulk packaging available for smaller quantities.
- Tolerance:10% is standard.
- Lower tolerances available.

### APPLICATIONS

- VCRs, PDP, LCD, TV set
- Automotive Systems
- Computer Peripheral Equipment
- GPS, DC/DC convertor, XDSL Modem
- Electronic Games
- Mobile Communications Equipment
- General Electronic Applications

Part Number	L $\mu$ H	Tol. $\pm$ %	Qmin	L Test Freq.	S.R.F. MHz	Rdc Ohm Max.	Idc mA
LGA0204-R22K	0.22	20	35	25.2	150	0.40	400
LGA0204-R27K	0.27	20	35	25.2	150	0.43	380
LGA0204-R33K	0.33	20	35	25.2	150	0.48	370
LGA0204-R39K	0.39	20	35	25.2	150	0.51	350
LGA0204-R47K	0.47	20	35	25.2	150	0.56	330
LGA0204-R56K	0.56	20	35	25.2	150	0.61	320
LGA0204-R68K	0.68	20	35	25.2	150	0.67	310
LGA0204-R82K	0.82	20	35	25.2	150	0.74	290
LGA0204-1R0K	1.0	20	35	25.2	150	0.80	270
LGA0204-1R2K	1.2	20	40	7.96	110	0.90	260
LGA0204-1R5K	1.5	20	40	7.96	80	1.0	250
LGA0204-1R8K	1.8	20	40	7.96	60	1.1	240
LGA0204-2R2K	2.2	20	40	7.96	45	1.2	230
LGA0204-2R7K	2.7	20	40	7.96	40	1.3	220
LGA0204-3R3K	3.3	10	40	7.96	38	1.4	210
LGA0204-3R9K	3.9	10	40	7.96	35	1.5	200
LGA0204-4R7K	4.7	10	40	7.96	32	1.6	190
LGA0204-5R6K	5.6	10	40	7.96	30	1.7	180
LGA0204-6R8K	6.8	10	40	7.96	28	1.9	175
LGA0204-8R2K	8.2	10	40	7.96	26	2.0	165
LGA0204-100K	10	10	40	7.96	24	2.2	160
LGA0204-120K	12	10	40	25.2	22	2.5	150
LGA0204-150K	15	10	40	25.2	20	2.8	145
LGA0204-180K	18	10	40	25.2	18	3.1	140
LGA0204-220K	22	10	40	25.2	17	3.4	130
LGA0204-270K	27	10	40	25.2	16	4.3	80
LGA0204-330K	33	10	40	25.2	14	4.7	76
LGA0204-390K	39	10	40	25.2	13	5.2	74
LGA0204-470K	47	10	40	25.2	12	5.8	70
LGA0204-560K	56	10	40	25.2	11	6.4	68
LGA0204-680K	68	10	40	25.2	10	7.2	64
LGA0204-820K	82	10	40	25.2	9.5	11	46
LGA0204-101K	100	10	40	25.2	9	12	44
LGA0204-121K	120	10	40	0.796	8	13	42
LGA0204-151K	150	10	40	0.796	6	16	39
LGA0204-181K	180	10	40	0.796	5.5	18	37
LGA0204-221K	220	10	40	0.796	5	20	35
LGA0204-271K	220	10	40	0.796	4.6	26	28
LGA0204-331K	220	10	40	0.796	4.2	30	26
LGA0204-391K	220	10	40	0.796	3.8	34	25
LGA0204-471K	220	10	40	0.796	3.5	38	24

Note: K =  $\pm$ 10%, M =  $\pm$ 20%



### 1、Ordering Code

LGA 02 04 KB - 101 K T52  
(1) (2) (3) (4) (5) (6) (7)

- (1) Type
- (2) Outside
- (3) Body Length
- (4) Formed Type
- (5) Nominal Inductance
- (6) Inductance Tolerance
- (7) Tape Type

• Testing:(Equivalent acceptable)

Inductance—Hp 4285A  
RDC:QuadTech 1880 Milliohmmer  
Q—HP 4342A  
SRF—HP 4191A

- IDC Max:The maximum DC value having inductance decrease within 10% and temperature increase within 20°C by the application of DC Bias
- Operating temperature:—25°C to +105°C
- Storage temperature:—40°C to +85°C
- Solderability:Temperature @ 230°C  $\pm$  5°C for 2 seconds
- Marking:EIA 4 band color code.

Note: All specifications subject to change without notice.