



LGA0510 SERIES

Through Hole Axial Conformal Coated Inductor

FEATURES

- Magnetic Core
- Wire-wound construction
- Heat resistant epoxy resin
- High reliability
- Ideal for automatic insertion
- Small size , Low Cost

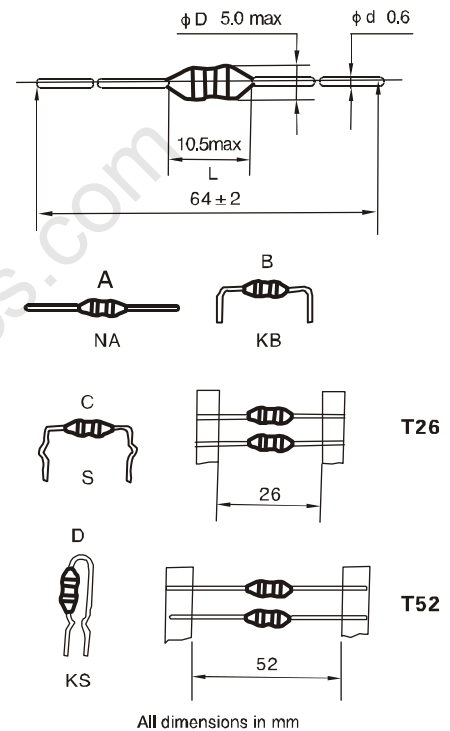
OPTIONS

- Packaging: Tape & Reel is Standard (Qty: 5000 pcs)
- Bulk packaging available for smaller quantities
- Tolerance:10% is standard
- Lower tolerances available.

APPLICATIONS

- VCRs
- Automotive Systems
- Computer Peripheral Equipment
- Televisions
- Electronic Games
- Mobile Communications Equipment
- General Electronic Applications

Part Number	L μH	Tol. ±%	Qmin	L Test Freq.	S.R.F. MHz	Rdc Ohm Max.	Icc mA
LGA0510-471K	470	10	60	0.796	1.9	7.70	126
LGA0510-561K	560	10	50	0.796	1.8	8.50	120
LGA0510-681K	680	10	55	0.796	1.5	9.00	113
LGA0510-821K	820	10	45	0.796	1.2	10.5	105
LGA0510-102K	1000	10	45	0.796	1.0	14.0	100
LGA0510-122K	1200	10	40	0.252	0.95	16.9	95
LGA0510-152K	1500	10	40	0.252	0.90	21.6	90
LGA0510-182K	1800	10	40	0.252	0.85	24.0	85
LGA0510-222K	2200	10	40	0.252	0.80	34.7	80
LGA0510-272K	2700	10	40	0.252	0.75	40.0	75
LGA0510-332K	3300	10	40	0.252	0.70	59.5	62
LGA0510-392K	3900	10	40	0.252	0.65	66.0	59
LGA0510-472K	4700	10	40	0.252	0.60	74.0	55
LGA0510-562K	5600	10	30	0.252	0.50	80.0	40
LGA0510-682K	6800	10	30	0.252	0.45	85.0	35
LGA0510-822K	8200	10	30	0.252	0.40	95.0	30
LGA0510-103K	10000	10	20	0.252	0.35	105.0	25



1、 Ordering Code

LGA	05	10	KB	-	101	K	T52
(1)	(2)	(3)	(4)		(5)	(6)	(7)

- (1) Type
 - (2) Outside
 - (3) Body Length
 - (4) Formed Type
 - (5) Nominal Inductance
 - (6) Inductance Tolerance
 - (7) Tape Type
 - Testing:(Equivalent acceptable)
 - Inductance—Hp 4285A
 - RDC:QuadTech 1880 Milliohmeter
 - Q—HP 4342A
 - SRF—HP 4191A
 - IDC Max:The maximum DC value having inductance decrease within 10% and temperature increase within 20°C by the application of DC Bias
 - Operating temperature:-25°C to +105°C
 - Storage temperature:-40°C to + 85°C
 - Solderability:Temperature @ 230°C ± 5°C for 2 seconds
 - Marking:EIA 4 band color code.
- Note: All specifications subject to change without notice.