



# LCH4W SERIES

## Through Hole Axial UL Tube Power Chokes

1006, 1008, 1010, 1014

### FEATURES

- Wire-wound construction
- Excellent Heat Resistance
- Excellent Env. Characteristics
- High Reliability

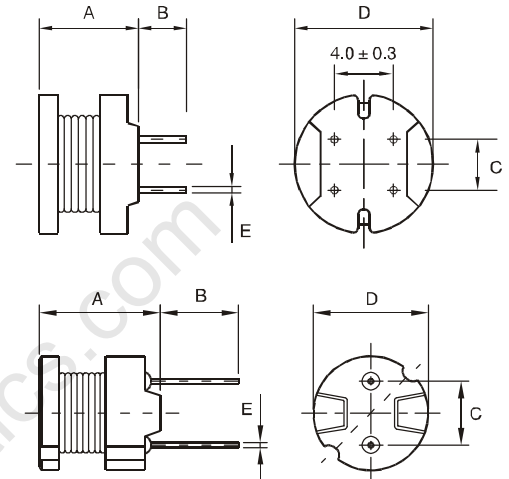
### OPTIONS

- Packaging: Bulk is Standard
- Tolerance: 10% is standard
- Lower tolerances available.

### APPLICATIONS

- Power Supplies
- SCR and TRIAC Controls
- RFI Suppression
- Filters
- Switching Regulator

P/N LCH4Wxxxx	Ind. μH	DC R(ohm) max.				IDC (A)			
		1006	1008	1010	1014	1006	1008	1010	1014
6R3M	6.3				0.260				4.30
7R5M	7.5				0.290				4.20
100M	10	0.040	0.027	0.022	0.033	3.60	4.50	5.30	4.00
120M	12	0.044	0.031	0.023	0.035	3.30	4.10	4.90	3.90
150M	15	0.058	0.035	0.026	0.039	2.90	3.70	4.40	3.70
180M	18	0.064	0.049	0.033	0.047	2.70	3.40	4.00	3.50
220M	22	0.088	0.055	0.037	0.051	2.40	3.10	3.60	3.30
270M	27	0.100	0.062	0.048	0.057	2.20	2.80	3.30	3.10
330M	33	0.110	0.079	0.055	0.064	2.00	2.50	2.90	2.90
390M	39	0.140	0.087	0.073	0.074	1.80	2.30	2.70	2.70
470M	47	0.160	0.099	0.083	0.083	1.70	2.10	2.50	2.50
560M	56	0.190	0.130	0.092	0.104	1.50	1.90	2.30	2.30
680M	68	0.220	0.140	0.120	0.117	1.40	1.70	2.10	2.10
820M	82	0.290	0.160	0.140	0.130	1.30	1.60	1.90	1.90
101 K	100	0.320	0.210	0.160	0.143	1.30	1.40	1.70	1.70
121 K	120	0.380	0.240	0.200	0.195	1.20	1.30	1.50	1.50
151 K	150	0.500	0.320	0.230	0.221	1.00	1.20	1.40	1.40
181 K	180	0.560	0.350	0.310	0.260	0.84	1.10	1.30	1.30
221 K	220	0.780	0.450	0.340	0.350	0.76	0.96	1.10	1.20
271 K	270	0.920	0.610	0.400	0.390	0.69	0.87	1.00	1.10
331 K	330	1.10	0.690	0.520	0.520	0.62	0.79	0.93	1.00
391 K	390	1.30	0.780	0.650	0.570	0.57	0.72	0.86	0.92
471 K	470	1.50	1.00	0.710	0.650	0.52	0.66	0.78	0.84
561 K	560	1.90	1.20	1.00	0.790	0.48	0.60	0.71	0.75
681 K	680	2.20	1.40	1.10	0.960	0.43	0.55	0.65	0.69
821 K	820	2.60	1.80	1.30	1.22	0.40	0.50	0.59	0.62
102K	1000	3.20	2.10	1.70	1.60	0.36	0.45	0.53	0.52
122K	1200				2.20				0.46
152K	1500				2.50				0.41
182K	1800				2.90				0.36
222K	2200				3.20				0.32
272K	2700				3.70				0.29
332K	3300				5.00				0.27
392K	3900				5.60				0.25
472K	4700				7.40				0.23
562K	5600				8.20				0.21
682K	6800				11.9				0.19
822K	8200				14.0				0.17
103K	10000				16.0				0.16
123K	12000				21.0				0.15
153K	15000				24.0				0.14
183K	18000				27.0				0.13
223K	22000				34.0				0.12
273K	27000				39.0				0.11
333K	33000				51.0				0.10
393K	39000				58.0				0.09



Dimension: mm

Part Number	A	B	C	D	E
LCH4W1006	6.5Max	3.5 ± 1.0	5.0 ± 0.3	10.5Max	0.7
LCH4W1008	8.5Max	3.5 ± 1.0	5.0 ± 0.3	10.5Max	0.7
LCH4W1010	10.5Max	3.5 ± 1.0	5.0 ± 0.3	10.5Max	0.7
LCH 1014	14.4Max	5.0 ± 1.0	5.0 ± 0.3	10.5Max	0.7
LCH4W1014	14.4Max	5.0 ± 1.0	5.0 ± 0.3	10.5Max	0.7

Testing: LCR Bridge measured @ 1KHz  
(Equivalent acceptable)

RDC: QuadTech 1880 Milliohm meter

IDC Max: Lowers inductance by 10%

Operating temperature: -55°C to +125°C

Marking: Inductance and tolerance

Note: All specifications subject to change without notice.