



# AIFC 1010 SERIES

## Through Hole Radial Flat Power Inductor

### FEATURES

- Ferrite Core
- Wire Wounded Construction
- Narrow Design for densely mount
- High Reliability
- Small Size
- Wide Range
- High Q SRF

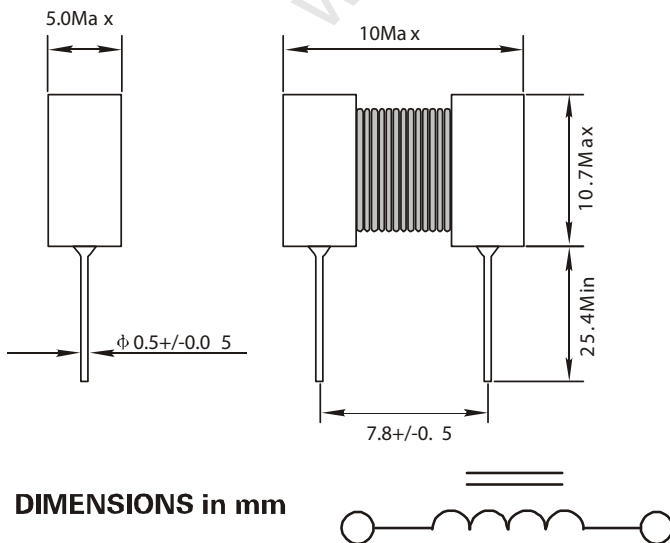
### OPTIONS

- Packaging: T&R Standart 1Kpcs
- Tolerance: 10% is standard
- Lower tolerances available.

### APPLICATIONS

- VCR, PDP, LCD, TV STB
- Automotive
- Computer Peripheral
- GPS, DC-DC Converter, XDSL
- E-Games
- Communication
- Household

P/N	L μH	L test Freq. MHz	Q min.	Q test Freq. MHz	DCR (Ohm) Max	IDC (A) max.	P/N	L μH	L test Freq. MHz	Q min.	Q test Freq. MHz	DCR (Ohm) Max	IDC (A) max.
AIFC1010-1R0K	1.0	7.96	45	7.96	0.015	7.0	AIFC1010-820K	82	2.52	50	2.52	1.198	0.86
AIFC1010-1R2K	1.2	7.96	39	7.96	0.012	6.0	AIFC1010-101K	100	0.796	80	0.796	1.600	0.70
AIFC1010-1R5K	1.5	7.96	33	7.96	0.014	5.0	AIFC1010-121K	120	0.796	70	0.796	1.725	0.65
AIFC1010-1R8K	1.8	7.96	37	7.96	0.020	4.8	AIFC1010-151K	150	0.796	70	0.796	1.855	0.60
AIFC1010-2R2K	2.2	7.96	38	7.96	0.025	4.4	AIFC1010-181K	180	0.796	70	0.796	2.070	0.58
AIFC1010-2R5K	2.5	7.96	40	7.96	0.030	4.1	AIFC1010-221K	220	0.796	50	0.796	2.105	0.49
AIFC1010-2R7K	2.7	7.96	43	7.96	0.028	4.0	AIFC1010-251K	250	0.796	40	0.796	2.700	0.49
AIFC1010-3R3K	3.3	7.96	35	7.96	0.036	3.7	AIFC1010-331K	330	0.796	50	0.796	3.335	0.41
AIFC1010-3R9K	3.9	7.96	37	7.96	0.050	3.4	AIFC1010-391K	390	0.796	45	0.796	3.450	0.39
AIFC1010-4R7K	4.7	7.96	37	7.96	0.053	3.2	AIFC1010-471K	470	0.796	40	0.796	5.290	0.35
AIFC1010-5R0K	5.0	7.96	40	7.96	0.080	2.90	AIFC1010-561K	560	0.796	40	0.796	5.405	0.32
AIFC1010-5R6K	5.6	7.96	38	7.96	0.092	2.80	AIFC1010-681K	680	0.796	45	0.796	5.930	0.29
AIFC1010-6R8K	6.8	7.96	29	7.96	0.113	2.60	AIFC1010-751K	750	0.796	30	0.796	4.200	0.28
AIFC1010-8R2K	8.2	2.52	30	2.52	0.110	2.50	AIFC1010-821K	820	0.796	40	0.796	6.325	0.27
AIFC1010-100K	10	2.52	80	2.52	0.190	2.10	AIFC1010-102K	1000	0.252	70	0.252	8.600	0.21
AIFC1010-120K	12	2.52	40	2.52	0.140	2.00	AIFC1010-122K	1200	0.252	70	0.252	10.00	0.21
AIFC1010-150K	15	2.52	40	2.52	0.158	1.60	AIFC1010-152K	1500	0.252	62	0.252	14.26	0.19
AIFC1010-180K	18	2.52	40	2.52	0.180	1.60	AIFC1010-182K	1800	0.252	62	0.252	15.76	0.17
AIFC1010-220K	22	2.52	40	2.52	0.230	1.40	AIFC1010-222K	2200	0.252	60	0.252	17.70	0.15
AIFC1010-250K	25	2.52	50	2.52	0.500	1.30	AIFC1010-252K	2500	0.252	60	0.252	18.00	0.14
AIFC1010-270K	27	2.52	50	2.52	0.2835	1.30	AIFC1010-272K	2700	0.252	60	0.252	19.10	0.14
AIFC1010-330K	33	2.52	45	2.52	0.346	1.20	AIFC1010-332K	3300	0.252	50	0.252	21.74	0.13
AIFC1010-390K	39	2.52	45	2.52	0.371	1.10	AIFC1010-392K	3900	0.252	50	0.252	26.00	0.12
AIFC1010-470K	47	2.52	45	2.52	0.502	1.03	AIFC1010-472K	4700	0.252	50	0.252	28.90	0.11
AIFC1010-500K	50	2.52	40	2.52	1.100	1.00	AIFC1010-602K	6000	0.252	35	0.252	31.00	0.10
AIFC1010-560K	56	2.52	40	2.52	0.687	0.95	AIFC1010-752K	7500	0.252	25	0.252	50.00	0.08
AIFC1010-680K	68	2.52	40	2.52	0.808	0.90	AIFC1010-103K	10000	0.252	25	0.252	70.00	0.07
AIFC1010-750K	75	2.52	40	2.52	1.200	0.86							



- IDC Max: Determined when superimposed
  - Testing: (Equivalent acceptable) Inductance: HP4342A  
RDC: QuadTech 1880 Milliohm meter  
Q- HP4342A - SRF-HP4191A  
DC current is decreased 10% against its initial value
  - Operating temperature: -40°C to +105°C
  - Storage Temperature: -40°C to +105°C
  - Solder methods: Vapor Phase, Infrared Reflow
  - Resistance to soldering heat: 260°C for 10 seconds
  - Solvent resistance: Conforms to MIL-STD-202E
  - Marking: Inductance & Tolerance
- Note: All specifications subject to change without notice.