



# AIRD01 SERIES

## Through Hole Radial High Current Power Chokes

### FEATURES

- High Saturation Material
- Polyolefin Shrink Tube
- Low DC Resistance
- High Rel, Low Cost

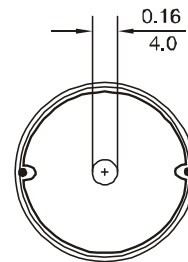
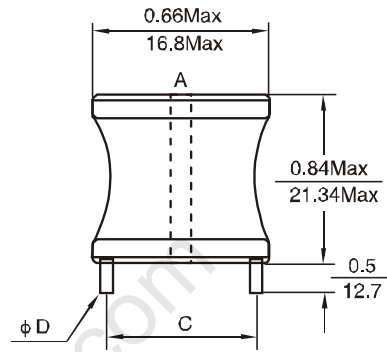
### OPTIONS

- Packaging: T&R Standart 1Kpcs
- Tolerance: 10% is standard
- Lower tolerances available.

### APPLICATIONS

- Switching Regulator
- RFI Suppression Filters
- SCR & TRIAC Controllers
- Automotive

Part Number	L $\mu$ H @1KHz	DCR Ohm max.	IDC A max	Dim (Inches/mm) C Appr.	Dim (Inches/mm) D nom.
AIRD01-1R0M	1	0.003	9	0.55/13.97	0.051/1.30
AIRD01-1R2M	1.2	0.003	9	0.55/13.97	0.051/1.30
AIRD01-1R5M	1.5	0.004	9	0.55/13.97	0.051/1.30
AIRD01-1R8M	1.8	0.004	9	0.55/13.97	0.051/1.30
AIRD01-2R2M	2.2	0.005	9	0.55/13.97	0.051/1.30
AIRD01-2R7M	2.7	0.005	9	0.55/13.97	0.051/1.30
AIRD01-3R3M	3.3	0.005	9	0.55/13.97	0.051/1.30
AIRD01-3R9M	3.9	0.006	9	0.55/13.97	0.051/1.30
AIRD01-4R7M	4.7	0.007	9	0.55/13.97	0.051/1.30
AIRD01-5R6M	5.6	0.007	9	0.55/13.97	0.051/1.30
AIRD01-6R8M	6.8	0.008	9	0.55/13.97	0.051/1.30
AIRD01-8R2M	8.2	0.009	9	0.55/13.97	0.051/1.30
AIRD01-100K	10	0.01	9	0.55/13.97	0.051/1.30
AIRD01-120K	12	0.011	9	0.55/13.97	0.051/1.30
AIRD01-150K	15	0.015	7.2	0.53/13.46	0.045/1.14
AIRD01-180K	18	0.016	7.2	0.53/13.46	0.045/1.14
AIRD01-220K	22	0.02	5.5	0.53/13.46	0.045/1.14
AIRD01-270K	27	0.03	4.5	0.53/13.46	0.040/1.01
AIRD01-330K	33	0.04	4	0.53/13.46	0.040/1.01
AIRD01-390K	39	0.046	4	0.53/13.46	0.040/1.01
AIRD01-470K	47	0.062	2.8	0.53/13.46	0.036/0.91
AIRD01-560K	56	0.069	2.8	0.53/13.46	0.036/0.91
AIRD01-680K	68	0.077	2.8	0.50/12.70	0.032/0.81
AIRD01-820K	82	0.083	2.8	0.50/12.70	0.032/0.81
AIRD01-101K	100	0.095	2.8	0.50/12.70	0.032/0.81
AIRD01-121K	120	0.127	2	0.50/12.70	0.029/0.73
AIRD01-151K	150	0.181	1.6	0.50/12.70	0.029/0.73
AIRD01-181K	180	0.217	1.6	0.50/12.70	0.025/0.63
AIRD01-221K	220	0.24	1.6	0.50/12.70	0.025/0.63
AIRD01-271K	270	0.3	1.6	0.47/11.94	0.020/0.51
AIRD01-331K	330	0.336	1.3	0.47/11.94	0.020/0.51
AIRD01-391K	390	0.46	1	0.47/11.94	0.020/0.51
AIRD01-471K	470	0.636	0.8	0.47/11.94	0.020/0.51
AIRD01-561K	560	0.696	0.8	0.47/11.94	0.020/0.51



DIMENSIONS: INCHES  
mm



- Inductance Testing: ,HP4284A,HP4285A or equivalent
- RDC:QuadTech 1880 Milliohm meter
- Q- HP4342A
- SRF-HP4191A or HP4194A
- Rated Current L value drop 10% typ. at  $I_{DC}$  against its initial value
- Temperature rise 40°C Max Reference ambient temperature
- Solderability: 75% of the lead wire shall be covered
- Soldering Methods: Wave, Reflow
- Operating Temperature: -25°C to +85°C
- Storage Temperature: -55°C to +125°C
- Terminal bending strength: 24.5N Min
- Moisture resistance:  $\Delta L/L \leq \pm 10\%$   $\Delta Q/Q \leq \pm 25\%$

Note: All specifications subject to change without notice.