



# AIRD02 SERIES

## Through Hole Radial High Current Power Chokes

### FEATURES

- High Saturation Material
- Polyolefin Shrink Tube
- Low DC Resistance
- High Rel, Low Cost

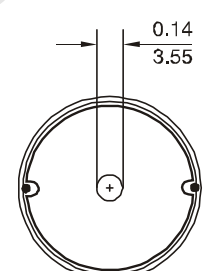
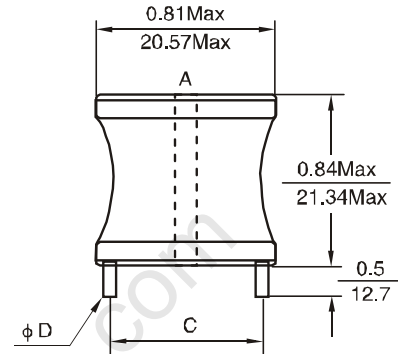
### OPTIONS

- Packaging: T&R Standart 1Kpcs
- Tolerance: 10% is standard
- Lower tolerances available.

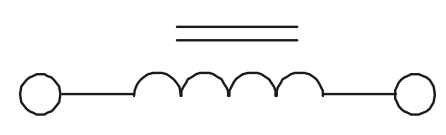
### APPLICATIONS

- Switching Regulator
- RFI Suppression Filters
- SCR & TRIAC Controllers
- Automotive

Part Number	L $\mu$ H @1K Hz	DCR Ohm max.	IDC A ma	Dim (Inches/mm) C Appr.	Dim (Inches/mm) D nom.
AIRD02-1R0M	1	0.003	11.4	0.63/16.00	0.072/1.83
AIRD02-1R2M	1.2	0.003	11.	0.63/16.00	0.072/1.83
AIRD02-1R5M	1.5	0.003	11.	0.63/16.00	0.072/1.83
AIRD02-1R8M	1.8	0.003	11.	0.63/16.00	0.072/1.83
AIRD02-2R2M	2.2	0.004	11.	0.63/16.00	0.072/1.83
AIRD02-2R7M	2.7	0.005	11.	0.63/16.00	0.064/1.62
AIRD02-3R3M	3.3	0.005	11.	0.63/16.00	0.064/1.62
AIRD02-3R9M	3.9	0.005	11.	0.63/16.00	0.064/1.62
AIRD02-4R7M	4.7	0.005	11.	0.63/16.00	0.064/1.62
AIRD02-5R6M	5.6	0.006	11.	0.63/16.00	0.064/1.62
AIRD02-6R8M	6.8	0.007	11.	0.63/16.00	0.064/1.62
AIRD02-8R2M	8.2	0.007	11.	0.63/16.00	0.064/1.62
AIRD02-100K	10	0.009	11.	0.63/16.00	0.064/1.62
AIRD02-120K	12	0.009	11.	0.63/16.00	0.057/1.45
AIRD02-150K	15	0.013	9	0.63/16.00	0.057/1.45
AIRD02-180K	18	0.018	7.2	0.63/16.00	0.051/1.30
AIRD02-220K	22	0.019	7.2	0.63/16.00	0.051/1.30
AIRD02-270K	27	0.026	5.5	0.63/16.00	0.051/1.30
AIRD02-330K	33	0.029	5.5	0.60/15.24	0.045/1.14
AIRD02-390K	39	0.03	5.5	0.60/15.24	0.045/1.14
AIRD02-470K	47	0.035	5.5	0.62/15.74	0.045/1.14
AIRD02-560K	56	0.039	5.5	0.62/15.74	0.040/1.01
AIRD02-680K	68	0.053	4.8	0.62/15.74	0.040/1.01
AIRD02-820K	82	0.06	4.8	0.62/15.74	0.040/1.01
AIRD02-101K	100	0.08	4	0.62/15.74	0.036/0.91
AIRD02-121K	120	0.09	4	0.62/15.74	0.036/0.91
AIRD02-151K	150	0.098	4	0.62/15.74	0.032/0.81
AIRD02-181K	180	0.11	4	0.62/15.74	0.032/0.81
AIRD02-221K	220	0.15	2.8	0.62/15.74	0.032/0.81
AIRD02-271K	270	0.213	2	0.60/15.24	0.029/0.73
AIRD02-331K	330	0.305	1.6	0.60/15.24	0.029/0.73
AIRD02-391K	390	0.32	1.6	0.60/15.24	0.025/0.64
AIRD02-471K	470	0.355	1.6	0.60/15.24	0.025/0.64
AIRD02-561K	560	0.388	1.6	0.60/15.24	0.025/0.64
AIRD02-681K	680	0.43	1.6	0.60/15.24	0.025/0.64
AIRD02-821K	820	0.59	1.3	0.60/15.24	0.023/0.58
AIRD02-102K	1000	0.818	1	0.60/15.24	0.020/0.51
AIRD02-122K	1200	1.14	0.8	0.60/15.24	0.020/0.51
AIRD02-152K	1500	1.26	0.8	0.60/15.24	0.020/0.51
AIRD02-182K	1800	1.39	0.8	0.60/15.24	0.018/0.45
AIRD02-222K	2200	1.54	0.8	0.60/15.24	0.018/0.45



DIMENSIONS: INCHES  
mm



- Inductance Testing: HP4284A, HP4285A or equivalent
  - RDC: QuadTech 1880 Milliohm meter
  - Q- HP4342A
  - SRF- HP4191A or HP4194A
  - Rated Current L value drop 10% typ. at  $I_{bc}$  against its initial value
  - Temperature rise 40°C Max Reference ambient temperature
  - Solderability: 75% of the lead wire shall be covered
  - Soldering Methods: Wave, Reflow
  - Operating Temperature: -25°C to +85°C
  - Storage Temperature: -55°C to +125°C
  - Terminal bending strength: 24.5N Min
  - Moisture resistance:  $\Delta L/L \leq \pm 10\%$   $\Delta Q/Q \leq \pm 25\%$
- Note: All specifications subject to change without notice.