



# RH SERIES

## Cable Shields Ferrite Tubular Core for EMI-Suppression

### FEATURES

- EMI Filtration
- Regged Construction
- Counter measures for FCC, VDE
- CSA, CE, VCC1
- EMI/RFI Suppression
- High Reliability
- Long Term Stability

### OPTIONS

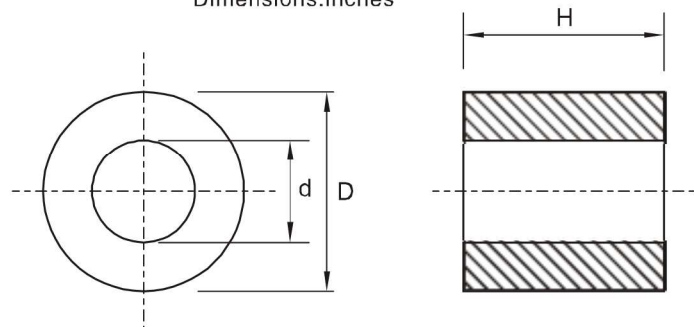
- Packaging: Bulk is standard
- Tolerance: 10% is standard
- Lower tolerances available

### APPLICATIONS

- Telecommunication equipment
- EMI/RFI suppression is required
- Noise Filtering
- Switching Regulators
- Power Supplies

Part number	Dimensions			Z (ohm)typ.	
	D	d	H	Z - 25MHz	Z - 100MHz
RH7.8X5.3X9.8	7.8 ± 0.2	5.3+0.3	9.8 ± 0.2	33	50
RH8.0X5.3X10.0	8.0-0.4	5.3+0.3	10.0-0.4	36	50
RH8.3X3.5X10.0	8.3-0.4	3.5+0.3	10.0-0.6	70	96
RH9.5X4.8X4.8	9.5 ± 0.25	4.75 ± 0.25	4.8 ± 0.2	18	35
RH9.5X4.8X6.4	9.5 ± 0.25	4.75 ± 0.25	6.35 ± 0.35	23	50
RH9.5X4.8X9.5	9.5 ± 0.25	4.75 ± 0.25	9.5 ± 0.3	40	70
RH9.5X4.8X10.0	9.5 ± 0.25	4.75 ± 0.25	10.4 ± 0.25	53	80
RH9.5X4.8X13.0	9.5 ± 0.25	4.75 ± 0.25	12.7 ± 0.5	60	95
RH9.5X4.8X19.0	9.5 ± 0.25	4.75 ± 0.25	19.05 ± 0.7	100	145
RH9.5X5.1X15.0	9.5 ± 0.3	5.1 ± 0.15	14.5 ± 0.45	66	110
RH9.7X5.0X5.1	9.65 ± 0.25	5.0 ± 0.2	5.05-0.45	26	43
RH14X6.4X5.3	14.3 ± 0.45	6.35 ± 0.25	5.3-0.45	35	60
RH14X6.4X10.0	14.3 ± 0.45	6.35 ± 0.25	10.1 ± 0.4	70	105
RH14X6.4X14.0	14.3 ± 0.45	6.35 ± 0.25	13.8 ± 0.4	90	150
RH14X6.4X15.0	14.3 ± 0.45	6.35 ± 0.25	15.0 ± 0.45	100	170
RH14X6.4X29.0	14.3 ± 0.45	6.35 ± 0.25	28.6 ± 0.75	170	250
RH14X7.3X29.0	14.3 ± 0.45	7.25 ± 0.15	28.6 ± 0.75	143	215
RH16X7.9X14.0	16.25-0.75	7.9 ± 0.25	14.3 ± 0.35	70	113
RH16X7.9X29.0	16.25-0.75	7.9 ± 0.25	28.6 ± 0.75	130	213
RH17X9.5X13.0	17.45 ± 0.35	9.53 ± 0.25	12.7 ± 0.5	55	90
RH17X9.5X29.0	17.45 ± 0.35	9.53 ± 0.25	28.55 ± 0.5	125	200
RH17X11X60	17.2-1.2	11.0 ± 0.5	60.0-2.5	200	320
RH19X10X15	19.0-0.65	10.15 ± 0.25	14.65-0.75	70	110
RH19X10X29	19.0-0.65	10.15 ± 0.25	28.6 ± 0.75	128	196
RH19X11X12	19.0 ± 0.4	10.6 ± 0.3	11.5 ± 0.5	50	75
RH26X13X21	25.9 ± 0.75	12.8 ± 0.25	21.3 ± 0.5	110	180
RH26X13X29	25.9 ± 0.75	12.8 ± 0.25	28.6 ± 0.8	145	225
RH29X19X7.5	29.0 ± 0.75	19.0 ± 0.5	7.5 ± 0.25	28	47
RH31x8x19	31.0 ± 1.0	8.00 ± 0.3	19.0 ± 0.8	130	170
RH31x12x19	31.0 ± 1.0	12.0 ± 0.3	19.0 ± 0.8	180	241
RH31x12.5x19	31.0 ± 1.0	12.5 ± 0.3	19.0 ± 0.8	170	267

Dimensions: inches



- Impedance: HP4191A or HP4194A HP4395A
- Soldering Methods: Wave, Reflow
- Operating Temperature: -25°C to +85°C
- Storage Temperature: -55°C to +125°C
- Terminal bending strength: 24.5N Min

Note: All specifications subject to change without notice.