



# AICT SERIES

## High Frequency EMI Filter

05, 06, 07, 08

### FEATURES

- High Frequency Design
- Against radiated noise
- High Reliability
- Auto insertion

### OPTIONS

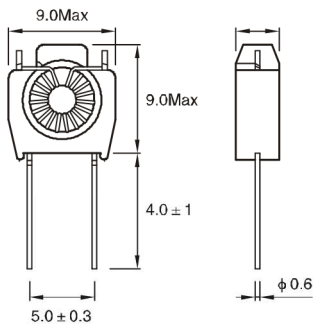
- Tape & Reel is Standard
- Custom design available

### APPLICATIONS

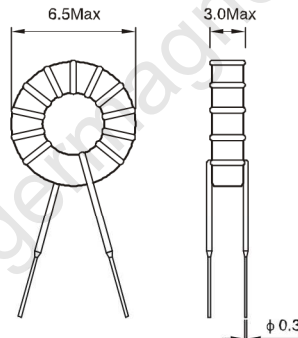
- PC, Word processors
- SMPS and switching AC adaptors
- Against CMC noise at composite
- Video signal dataline EMI suppression!

Part Number	Inductance 1KHz 1V μH ±35%	RDC mOhm max.	Rated Current A max.	Part Number	Inductance 1KHz 1V μH ±35%	Rated Current A max.	RDC mOhm max.	Turns Ratio ±0%	Hipot Isolation Voltage
AICT-05-100M	10	20	1.5	AICT-08-100M	10	2	50	1:1	500V
AICT-05-300M	30	30	1.5	AICT-08-200M	20	1.5	50	1:1	500V
AICT-05-500M	50	50	1.5	AICT-08-500M	50	1.5	50	1:1	500V
AICT-05-600M	60	60	1	AICT-08-600M	60	1.5	80	1:1	500V
AICT-06-100M	10	20	1.5	AICT-08-800M	80	1.5	80	1:1	500V
AICT-06-200M	20	30	1.5	AICT-08-101M	100	1	100	1:1	500V
AICT-07-100M	10	50	3	AICT-08-201 M	200	0.6	150	1:1	500V

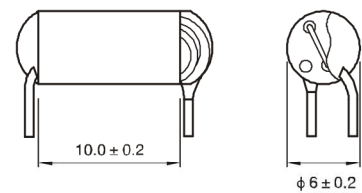
AICT-05-XX



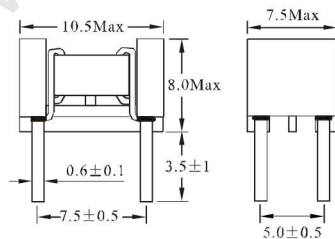
AICT-06-XX



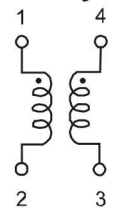
AICT-07-XX



AICT-08-XX



Circuit diagram



(Unit:m/m)

All dimensions are in mm

- Max operating voltage:250V at 40°C
- IDC Max: rating AC/DC current A @40°C
- Hi-Pot 2500Vac winding to winding 3S.
- Inductance Testing: 10KHz 0.1V HP4284A
- RDC:QuadTech 1880 Milliohmeter
- Surge current Max 10ms: 20X IDC

- Soldering methods:Wave,Reflow
- Operating Temperature:0°C to 85°C
- Storage Temperature:-25°C to 85°C

Note:All specifications subject to change without notice.