



LF SERIES

Through Hole Common Mode Chokes

FEATURES

- 0.3A to 1 OA ratings, low temperature rise
- 0.7mH to 100mH dual chokes
- Excellent Mechanical Strength
- 100KHz to 3MHz common mode resonance
- High Reliability and variant PCB-mount housing
- Low resistance and temperature rise

OPTIONS

- Bulk packaging is standard
- Custom design available

APPLICATIONS

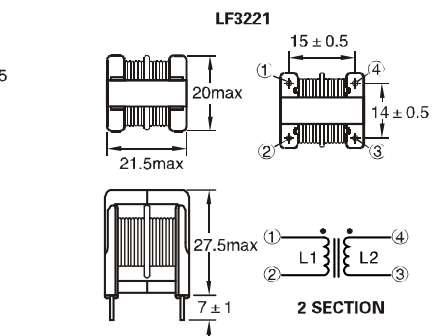
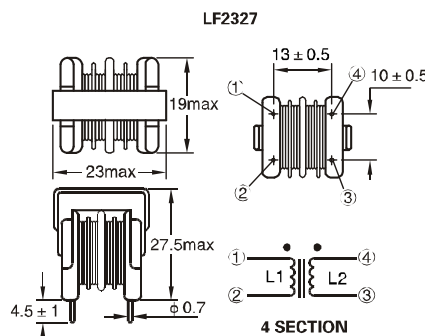
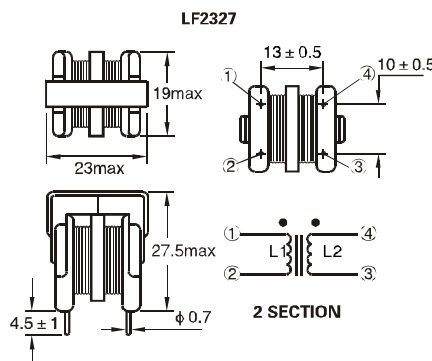
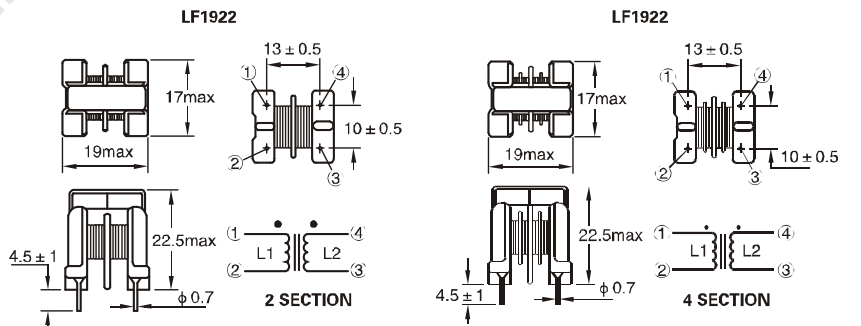
- DC/DC, AC/DC line noise suppression
- Communication System
- Automotive Systems
- LCD/PDPTelevisions
- Computer Peripheral Equipment

It accord with the standards of FCC, VCCI, CISPR, FTZ, etc. eliminating of electromagnetic noise of power and signal circuit.

Part Number	Inductance L mH	Inductance Tolerance μ H max.	DCR ohm max.	IDC A max.
LF2327-453Y	45	200	2.5	0.5
LF2327-323Y	32	20	2	0.5
LF2327-253Y	25	160	1.2	0.5
LF2327-203Y	20	160	1.2	0.5
LF2327-143Y	14	140	1	0.5
LF2327-103Y	10	140	0.8	0.8
LF2327-792Y	7.9	100	0.8	0.8
LF2327-602Y	6	100	0.8	0.8
LF2327-402Y	4	100	0.7	0.8
LF2327-252Y	2.5	80	0.6	0.8
LF2327-182Y	1.8	80	0.6	0.8
LF2327-102Y	1	60	0.4	1
LF1922-752Y	7.5	100	2	0.4
LF1922-502Y	5	200	2	0.3
LF1922-302Y	3	150	1.2	0.5
LF1922-202Y	2	100	0.4	1
LF1922-102Y	1	100	0.4	1
LF1922-102Y	1	50	0.14	1.6
LF1922-801Y	0.8	50	0.2	1.5

Part Number	Inductance L mH	Inductance Tolerance μ H max.	DCR ohm max.	IDC A max.
LF1922-601Y	0.6	50	0.15	1.5
LF1922-601Y	0.6	50	0.12	2
LF1922-103Y	10	300	2	0.3
LF1922-502Y	5	200	1.2	0.5
LF1922-302Y	3	60	0.5	0.9
LF1922-202Y	2	100	0.4	1
LF1922-102Y	1	100	0.4	1
LF3221-503Y	50	300	3	0.3
LF3221-353Y	35	260	2	0.5
LF3221-253Y	25	230	1.2	0.8
LF3221-203Y	20	200	0.7	0.9
LF3221-163Y	16	180	0.5	1
LF3221-123Y	12	150	0.4	1
LF3221-103Y	10	120	0.25	2
LF3221-752Y	7.5	100	0.2	2
LF3221-502Y	5	80	0.15	3
LF3221-302Y	3	60	0.1	3
LF3221-152Y	1.5	50	0.06	4
LF3221-102Y	1	50	0.03	5

- Max operating voltage:250V at 40°C
 - IDC Max: rating AC/DC current A @40°C
 - Hi-Pot 2500V AC winding to winding 3S.
 - Insulation resistance 100M Ω Min DC 500V
 - Temperature Rise Max:40°C
 - Inductance Testing: 10KHz 0.1V HP4284A
 - RDC:QuadTech 1880 Milliohmmeter
 - Surge current Max 10ms: 20X IDC
 - Operating temperature: -40°C to +105°C
 - Storage Temperature: -40°C to +105°C
 - Resistance to soldering heat:260°C for 10 seconds
 - Marking: Part number and date code
- Note:All specifications subject to change without notice.



DIMENSIONS IN:mm