



AIGT-10 SERIES

Vertical/Base Mount Toroidal Coils

FEATURES

- High saturation material
- Wide inductance range
- High current capability
- Long term stability
- High reliability
- Low DC resistance

OPTIONS

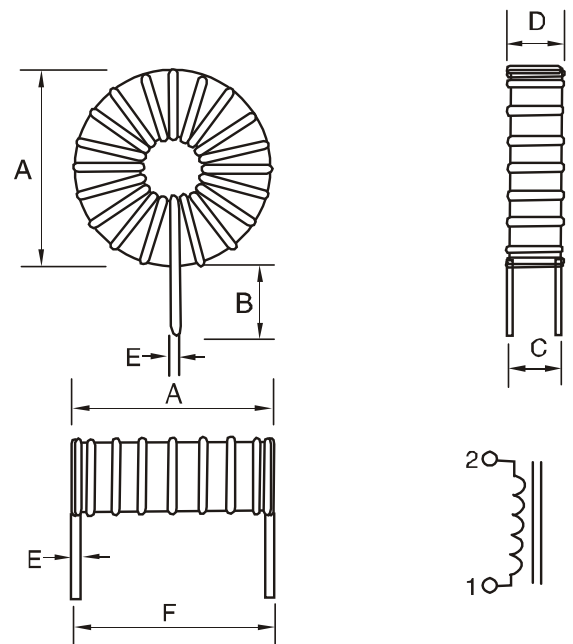
- Packaging :Bulk is standard
- Tolerance:20% is standard, tighter tolerances available
- Mounting:(V)ertical is standard, (H)orizonatl available
- Inductance :Optional request available

APPLICATIONS

- Switching Regulators
- Automotive Systems
- Power Amplifiers
- Power Supplies
- SCR and Triac Controls
- Speaker Crossover Networks
- EMI/RFI suppression
- Filters

Part Number	L μ H	IDC A max.	RDC Ohm max.	Lead ϕ	L ± 0.75	P max.	N max.	A ± 0.1	B ± 0.1	C max.	D Typ.	E Typ.	F Typ.
AIGT-10-5R0M	5	2.5	0.03	0.02	0.425	0.55	0.25	0.34	0.58	0.64	0.29	0.11	0.25
AIGT-10-250M	25	2.5	0.04	0.02	0.425	0.55	0.25	0.34	0.58	0.64	0.29	0.11	0.25
AIGT-10-500M	50	2.5	0.07	0.02	0.425	0.64	0.33	0.45	0.65	0.73	0.325	0.15	0.25
AIGT-10-101M	100	2.5	0.1	0.02	0.425	0.84	0.34	0.45	0.83	0.94	0.415	0.15	0.25
AIGT-10-350M	35	2.5	0.04	0.025	0.425	0.64	0.34	0.45	0.65	0.73	0.325	0.15	0.25
AIGT-10-700M	70	3	0.05	0.025	0.425	0.86	0.36	0.45	0.83	0.96	0.415	0.15	0.25
AIGT-10-14.51M	145	3	0.09	0.025	0.425	0.97	0.47	0.6	0.95	1.06	0.475	0.225	0.25
AIGT-10-28.51M	285	3	0.14	0.025	0.925	1.21	0.55	0.7	1.25	1.3	0.625	0.25	0.25
AIGT-10-451M	450	3	0.2	0.025	0.925	1.49	0.58	-	-	-	-	-	-
AIGT-10-101M	100	3.5	0.04	0.032	0.425	0.95	0.5	0.6	0.95	1.06	0.475	0.225	0.25
AIGT-10-16.51M	165	4	0.07	0.032	0.925	1.23	0.56	0.7	1.25	1.33	0.625	0.25	0.25
AIGT-10-271M	270	4	0.1	0.032	0.925	1.53	0.59	-	-	-	-	-	-
AIGT-10-400M	40	4	0.03	0.032	0.425	0.84	0.38	0.45	0.83	0.94	0.415	0.15	0.25
AIGT-10-101M	100	5	0.04	0.042	0.925	1.24	0.6	0.7	1.25	1.37	0.625	0.25	0.25
AIGT-10-171M	170	5	0.05	0.042	0.925	1.48	0.6	-	-	-	-	-	-
AIGT-10-550M	55	5	0.02	0.042	0.425	1	0.51	0.6	0.95	1.07	0.475	0.225	0.25
AIGT-10-950M	95	7	0.03	0.051	0.925	1.51	0.62	-	-	-	-	-	0
AIGT-10-550M-7(A)	55	7	0.02	0.051	0.925	1.3	0.61	0.7	1.25	1.44	0.625	0.25	0.25
AIGT-10-550M-10(A)	55	10	0.02	0.064	0.925	1.54	0.65	-	-	-	-	-	-
AIGT-10-251M	250	10	0.2	0.02	0.425	0.84	0.34	0.45	0.83	0.96	0.415	0.15	0.25

- Testing: (Equivalent acceptable)
Inductance: Measured at 1kHz 0.1V HP4284A
RDC: QuadTech 1880 Milliohm meter
 - IDC Max: Losers inductance by 10%
Temperature range: -55°C to $+125^{\circ}\text{C}$
 -55°C to $+85^{\circ}\text{C}$ at full rated current
 - Mounting: Add (V), (H) as Suffix to Part Number
- Note: All specifications subject to change without notice.



Dimensions: Inches