



AIGT20 SERIES

Vertical/Horizontal/Base Mount Toroidal Cores

FEATURES

- High saturation material
- Wide inductance range
- High current capability
- Long term stability
- High reliability
- Low DC resistance

OPTIONS

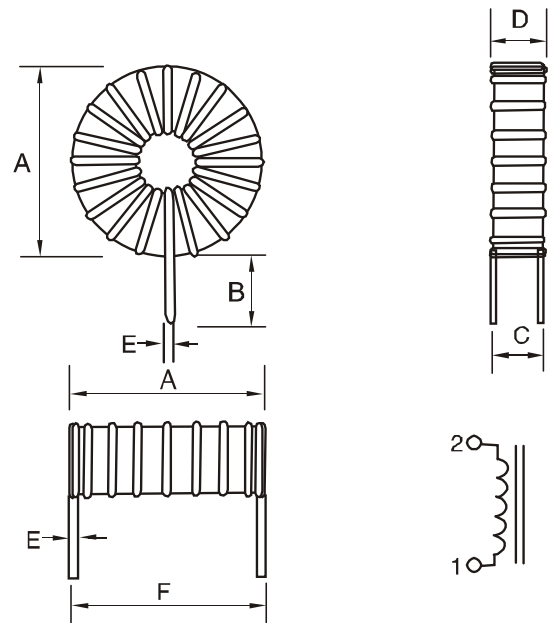
- Packaging :Bulk is standard
- Tolerance:20% is standard, tighter tolerances available
- Mounting:(V)ertical is standard, (H)orizonatl available
- Inductance :Optional request available

APPLICATIONS

- Switching Regulators
- Automotive Systems
- Power Amplifiers
- Power Supplies
- SCR and Triac Controls
- Speaker Crossover Networks
- EMI/RFI suppression
- Filters

Part Number	L μ H	IDC A max.	RDC Ohm max.	A max.	B typ.	C ref.	D typ.	E Typ.	F Typ.
AIGT-20-200M-1(A)	20	1	0.062	0.35	0.5	0.22	0.25	0.013	0.325
AIGT-20-200M-2(A)	20	2	0.029	0.5	0.5	0.24	0.3	0.02	0.46
AIGT-20-200M-5(A)	20	5	0.02	0.94	0.5	0.57	0.64	0.032	0.876
AIGT-20-500M-1(A)	50	1	0.061	0.6	0.5	0.3	0.34	0.02	0.56
AIGT-20-500M-2(A)	50	2	0.025	0.85	0.5	0.45	0.5	0.032	0.786
AIGT-20-500M-5(A)	50	5	0.021	1.25	0.5	0.675	0.75	0.04	1.21
AIGT-20-500M-7(A)	50	7	0.013	1.5	0.5	0.575	0.65	0.051	1.398
AIGT-20-500M-10(A)	50	10	0.016	1.8	0.5	0.7	0.775	0.051	1.698
AIGT-20-101M-1(A)	100	1	0.085	0.62	0.5	0.425	0.475	0.02	0.58
AIGT-20-101M-2(A)	100	2	0.04	0.95	0.5	0.6	0.64	0.032	0.886
AIGT-20-101M-5(A)	100	5	0.028	1.5	0.5	0.575	0.629	0.04	1.42
AIGT-20-151M-5(A)	150	5	0.042	1.75	0.5	0.68	0.75	0.04	1.67
AIGT-20-251M-1(A)	250	1	0.168	0.8	0.5	0.45	0.475	0.018	0.764
AIGT-20-251M-2(A)	250	2	0.07	1.25	0.5	0.675	0.725	0.032	1.186
AIGT-20-501M-1(A)	500	1	0.276	0.925	0.5	0.57	0.6	0.018	0.889
AIGT-20-501M-2(A)	500	2	0.147	1.45	0.5	0.55	0.575	0.025	1.4

- Testing: (Equivalent acceptable)
Inductance: Measured at 1kHz 0.1V HP4284A
RDC: QuadTech 1880 Milliohmmeter
 - IDC Max: Losers inductance by 10%
 - Temperature range: -55°C to $+125^{\circ}\text{C}$
 -55°C to $+85^{\circ}\text{C}$ at full rated current
 - Mounting: Add (V), (H) as Suffix to Part Number
- Note: All specifications subject to change without notice.



Dimensions: Inches