



ET&UT SERIES

Through Hole Common Mode Chokes

FEATURES

- 0.3A to 10A ratings, low temperature rise
- 0.7mH to 100mH dual chokes
- Excellent Mechanical Strength
- 100KHz to 3MHz common mode resonance
- High Reliability and variant PCB-mount housing
- Low resistance and temperature rise

OPTIONS

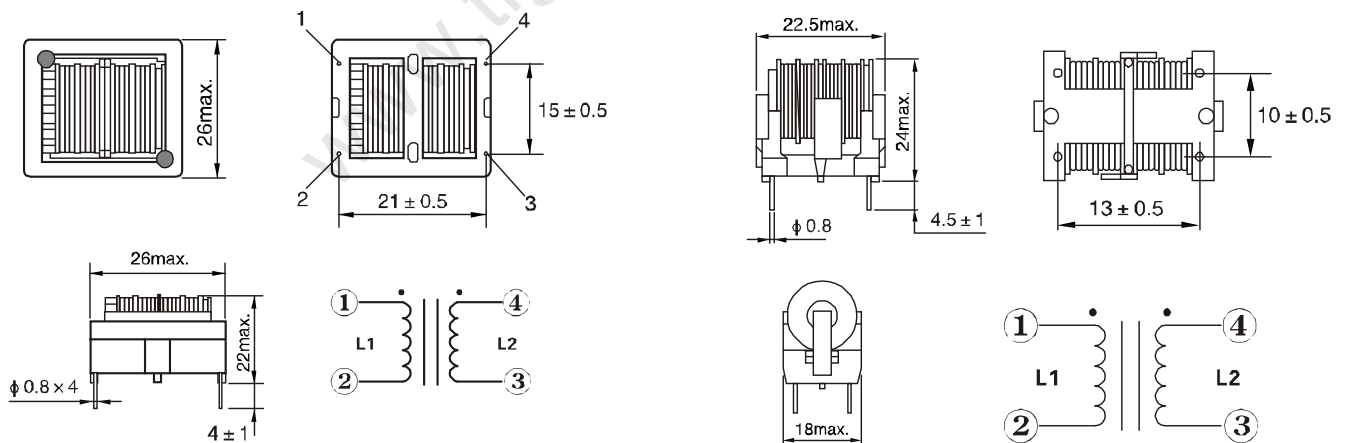
- Bulk packaging is standard
- Custom design available

APPLICATIONS

- DC/DC, AC/DC line noise suppression
- Communication System
- Automotive Systems
- LCD/PDPTelevisions
- Computer Peripheral Equipment

It accord with the standards of FCC, VCCI, CISPR, FTZ, etc. eliminating of electromagnetic noise of power and signal circuit.

Part Number	Nominal Inductance (mH) min.	Leakage Inductance μ H max.	DCR Ohm max.	Rated Current I (A) max.	Part Number	Nominal Inductance (mH) min.	Leakage Inductance μ H max.	DCR Ohm max.	Rated Current I (A) max.
ET2422H-683Y0R4	68	700	2.3	0.4	UT2024-123Y0R8	12	200	0.92	0.8
ET2422H-453Y0R5	45	600	1.65	0.5	UT2024-622Y1 R0	6.2	150	0.5	1
ET2422H-333Y0R6	33	500	1.2	0.6	UT2024-242Y1R7	2.4	80	0.18	1.7
ET2422H-253Y0R8	25	400	0.88	0.8	UT2024-601Y3R0	0.6	40	0.06	3
ET2422H-203Y1R0	20	350	0.64	1					
ET2422H-103Y1R2	10	250	0.38	1.2					
ET2422H-452Y1R5	4.5	150	0.19	1.5					
ET2422H-392Y1R8	3.9	150	0.15	1.8					
ET2422H-332Y2R0	3.3	100	0.11	2					
ET2422H-242Y2R5	2.4	95	0.09	2.5					



Weight: 19.5g typ
Recommended hole diameter: ϕ 1.2~1.3
Dimensions in mm

• Weight: 10g typ
• Recommended hole Diameter: ϕ 1.2~1.3
• Dimensions in mm

- Max operating voltage: 250V at 40°C
- IDC Max: rating AC/DC current A @ 40°C
- Hi-Pot 2500V AC winding to winding 3S.
- Insulation resistance 100M Ω Min DC 500V
- Temperature Rise Max: 40°C
- Inductance Testing: 10KHz 0.1V HP4284A

- RDC: QuadTech 1880 Milliohm meter
- Surge current Max 10ms: 20X IDC
- Operating temperature: -40°C to +105°C
- Storage Temperature: -40°C to +105°C
- Resistance to soldering heat: 260°C for 10 seconds
- Marking: Part number and date code