



HS1164 SERIES

10/100 BASE-TX Magnetics Modules

FEATURES

- Compliant with IEE 802.3u and ANSI X.3.263 Standards including 350uH OCL with 8mA bias
- Cable interface for isolation and low common mode emissions

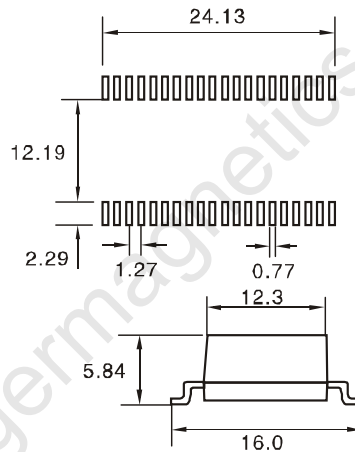
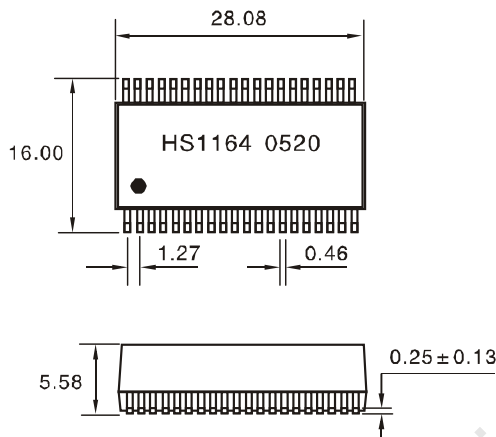
OPTIONS

- Tape & Reel is Standard
- Custom design available

APPLICATIONS

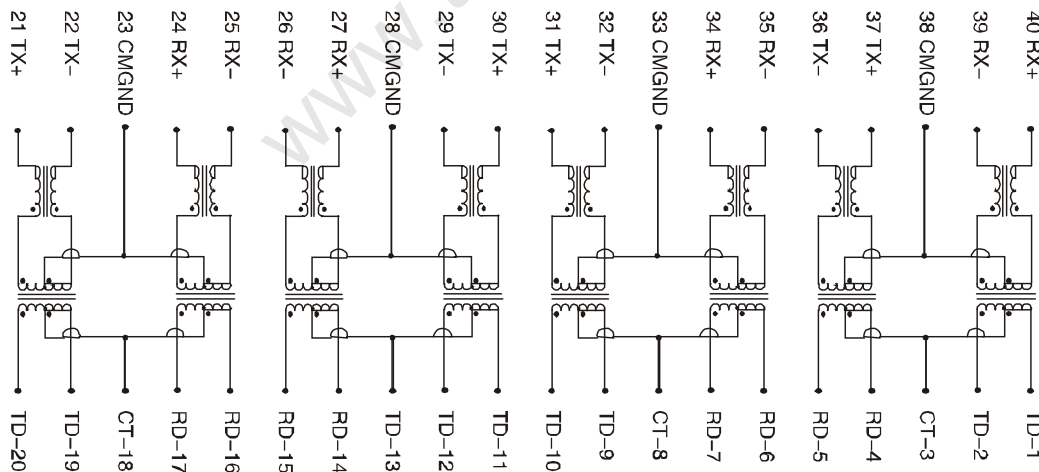
- Symmtria TX and RX channels for auto MDI/MDIX capability.
- Approved for use with Broadcom BCM5226 BCM5228 and Level One LXT9784 Multiport Repeater & Ethernet Switching HUB.

Part Number	Turns Ratio (±2%)	Insertion Loss (Max)	Return Loss (dB Min)				Crosstalk (dB Min)				Differential to Common Mode Rejection(dB Min)		Hipot (VrmsMin)
			0.1-	2-30MHz	40MHz	50MHz	60-80MHz	1kHz	30MHz	60MHz	100MHz	1-60MHz	
HS1164	1CT:1CT	-1.0	-18	-14.4	-13.1	-12	-55	-45	-40	-33	-37	-25	1500



DIMENSIONS:mm

Unless otherwise specified all tolerances are 60.25



- OCL:350 μ H Min 8mA DC bias (line side)
- Hi-Pot:1500 VRMS Min
- Soldering methods:Wave,Reflow
- Operating Temperature:0°C to 70°C
- Storage Temperature:-25°C to 85°C