



# HS1606-2007 SERIES

## 10/100 BASE-T Magnetics Modules

### FEATURES

- Designed to meet IEEE 802.3 requirements.
- Through-hole Low cost design

### OPTIONS

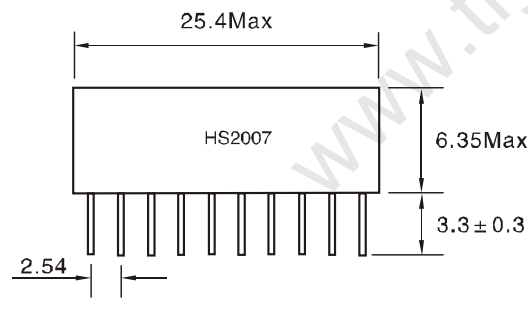
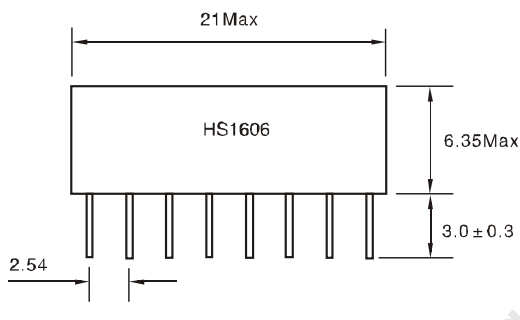
- Tape & Reel is Standard
- Bulk upon request

### APPLICATIONS

- Multiport Repeater & Ethernet Switching HUB
- Cable interface for isolation and low common mode emissions

Part number	Turns Ratio (±2%)	Insertion Loss (Max)	Return Loss (dB Min)				Crosstalk (dB Min)				Differential to Common Mode Rejection(dB Min)		Hipot (VrmsMin)
			0.1-100MHz	2-30MHz	40MHz	50MHz	60-80MHz	1kHz	30MHz	60MHz	100MHz	1-60MHz	
HS1606	1CT:1CT	-1.1	-16	-15.0	-13.0	-11	-38	-38	-38	-38	-38	-38	1500
HS2007	1CT:1CT	-1.0	-16	-12	-10	-37	-25	-40	-40	-35	-40	-35	1500

ELECTRICAL SPECIFICATION @25°C Operating Temperature 0°C to 70°C



- OCL:350 μH Min 8mA DC bias (line side)
- Hi-Pot:1500 VRMS Min
- Soldering methods:Wave,Reflow
- Operating Temperature:0°C to 70°C
- Storage Temperature:-25°C to 85°C

DIMENSIONS:mm  
Unless otherwise specified all tolerances are ± 0.25

