



HS2410, HS2411

1000 BASE-T Magnetics Modules

FEATURES

- 1:1 Turns Ratio
- Full Duplex Compatible
- PoE MAGNETICS
- Compliant with IEEE802.3u and ANSI X.3.263 standards including 350 uH OCL with 8mA bias.

OPTIONS

- Bulk Packaging is Standard
- Custom Design Available
- Thru Hole Available

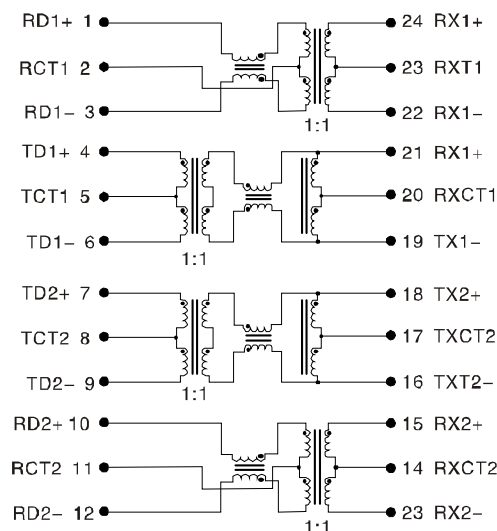
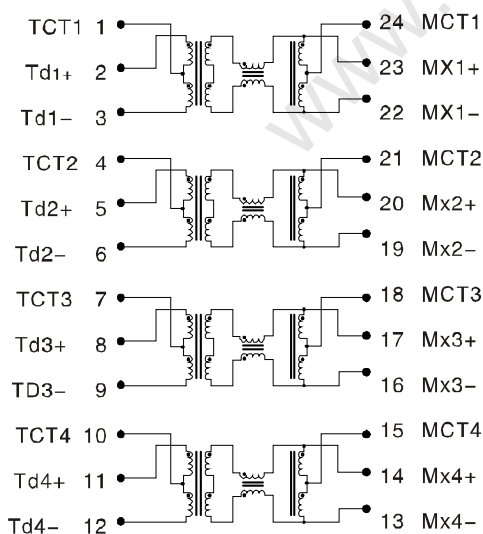
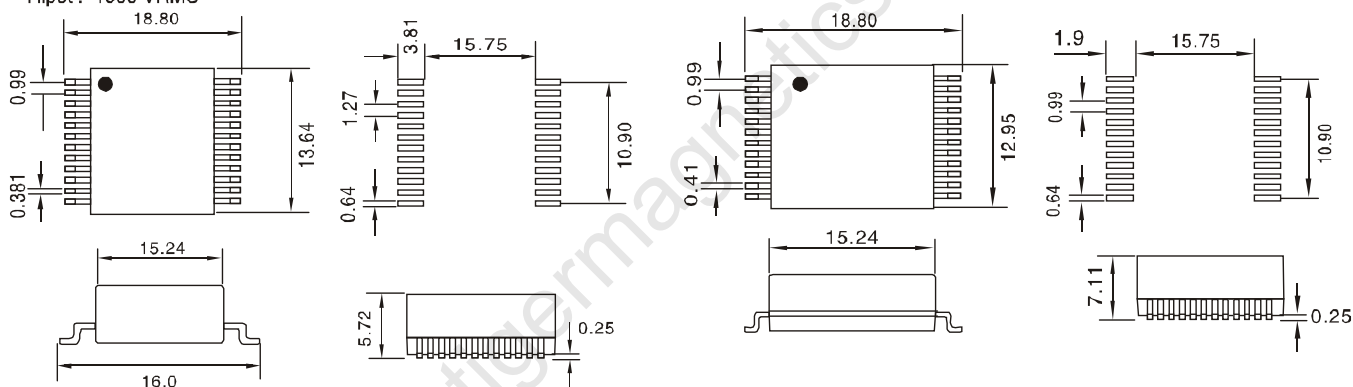
APPLICATIONS

- Cable interface for isolation and low common mode emissions.
- Designed to fit behind 1x1 RJ45 connector.
- HS2411 Designed for IP phone or Switch

Part Number	Turns Ratio (± 2%)	Insertion Loss (Max)	Return Loss (dB Min)				Crosstalk (dB Min)				Differential to Common Mode Rejection(dB Min)		Hipot (Vrms Min)
			0.1-100 MHz	2-30 MHz	40 MHz	50 MHz	60-80 MHz	1 kHz	30 MHz	60 MHz	100 MHz	1-60 MHz	
HS2410	1CT:1CT	-1.0	-18	-14.4	-13.1	-12	-65	-50	-40	-35	-40	-35	1500
HS2411	1CT:1CT	-1.2	-16	-14.0	-13.0	-12	-43	-37	-33	-50	-43	-35	1500

ELECTRICAL SPECIFICATION @25°C -Operating Temperature 0°C to 70°C

- Primary OCL Tx & Rx: 350 μ H Min @ I_{dc}=8mA
- Hipot: 1500 VRMS



- Soldering methods: Wave, Reflow
- Operating Temperature: 0°C to 70°C
- Storage Temperature: -55°C to 125°C

DIMENSIONS:mm
Unless otherwise specified all tolerances are +/-0.25