



LAN-500

PCMCIA 10/100 Base - Tx LAN Magnetics Module

FEATURES

- IEEE 802.3 Compliant
- PCMCIA

OPTIONS

- Tape & Reel is Standard
- Custom design available

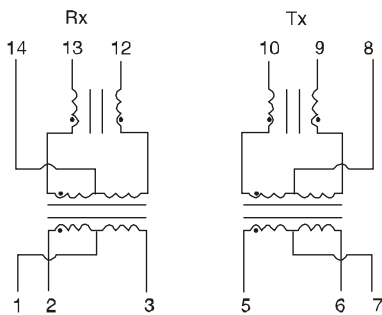
APPLICATIONS

- PCMCIA LAN Card
- Type I & II Cards

Part Number	Turns Ratio ± 2%		Insertion Loss 1-100MHz (dB Max)	Cross Talk 0.1-100MHz (dB Min)	CMR 0.1-100MHz (dB Min)	Return Loss(dB Min)				Schematic	Package
	Tx	Rx				0.5-30 MHz	50 MHz	80 MHz	60-80 MHz		
LAN-501	1CT:1CT	1CT:1CT	1.1	35	30	18	15	13	11	1	A
LAN-502	1.41CT:1CT	1CT:1CT	1.1	35	30	18	15	13	11	1	A
LAN-503	1CT:1CT	1CT:1CT	1.1	35	30	18	15	13	11	2	B
LAN-504	1.41CT:1CT	1CT:1CT	1.1	35	30	18	15	13	11	2	B

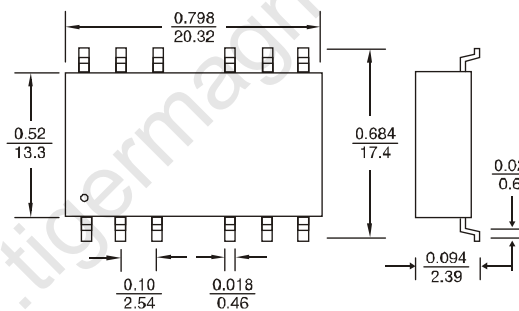
- Primary OCL Tx & Rx : 350µH Min @ I_{dc}=8mA
- Hipot : 1500 VRMS

Schematic1(Ref Broadcom BCM5201 application)

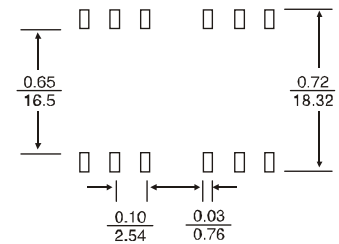


Dimension:Inch/mm

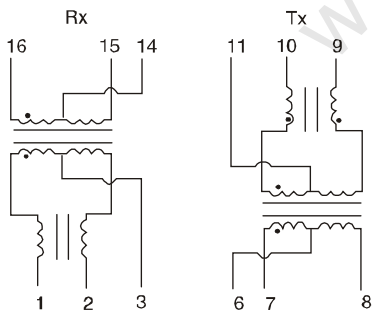
Package:A



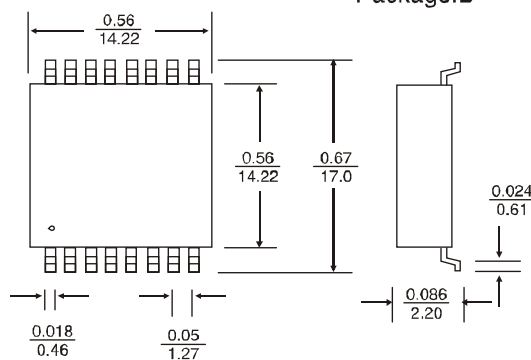
Recommended Pod Layout



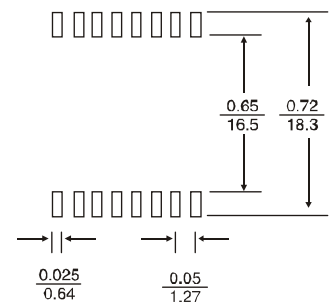
Schematic1(Ref Quilty Semi QS6612 application)



Package:B



Recommended Pod Layout



- Soldering methods:Wave,Reflow
- Operating Temperature: 0°C to 70°C
- Storage Temperature: -55°C to 125°C