



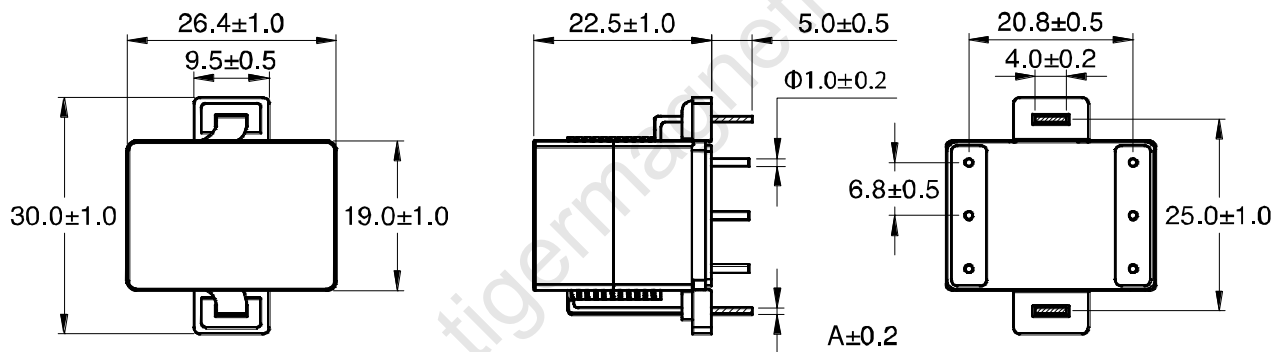
CPCE2624A

High Current Inductor

FEATURES

- Assemblage design, sturdy structure.
- High inductance, high current, low magnetic loss, low ESR, small parasitic capacitance.
- Flat wire winding, achieve a low D.C. Resistance.
- Temperature rise current and saturation current is less influenced by environment.
- Operating temperature : -55°C ~ +150°C (Including coil's temperature rise).

Part No.	Dimension(mm)			Inductance (μ H)	DCR(m Ω)		Saturation Current (A)	Temperature rise current (A)
	Length	Width	Height		Typical	Max		
CPCE2624A-130M	30.0	26.4	22.5	13.0	1.90	2.10	35.0	26.0
CPCE2624A-150M	30.0	26.4	22.5	15.0	2.50	2.90	33.0	25.0
CPCE2624A-180M	30.0	26.4	22.5	18.0	2.70	3.10	30.0	24.0
CPCE2624A-250M	30.0	26.4	22.5	25.0	3.60	4.10	28.0	23.0
CPCE2624A-270M	30.0	26.4	22.5	27.0	3.90	4.50	26.0	22.0
CPCE2624A-330M	30.0	26.4	22.5	33.0	4.20	4.80	24.0	20.0



Part No.	130	150 - 180	250	270 - 330
Dimension A	1.20	1.00	0.90	0.80
Dimension B	1.80	1.60	1.50	1.40

