



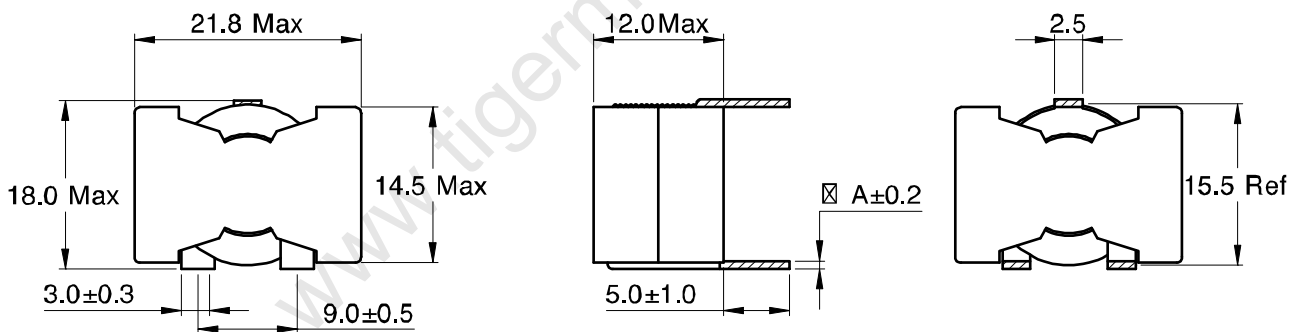
CPCF2012A

High Current Inductor

FEATURES

- Assemblage design, sturdy structure.
- High inductance, high current, low magnetic loss, low ESR, small parasitic capacitance.
- Flat wire winding, achieve a low D.C. Resistance.
- Temperature rise current and saturation current is less influenced by environment.
- Operating temperature : -55°C ~ +150°C (Including coil's temperature rise).

Part Number	Dimension(mm)			Inductance (μH)	DCR(mΩ)		Saturation Current (A)	Temperature rise current (A)
	Length	Width	Height		Typical	Max		
CPCF2012A-R47MC	20.5	14.0	12.0	0.47	0.45	0.55	75.0	45.0
CPCF2012A-R82MC	20.5	14.0	12.0	0.82	0.45	0.55	55.0	45.0
CPCF2012A-1R0MC	20.5	14.0	12.0	1.00	1.38	1.60	85.0	35.0
CPCF2012A-1R5MC	20.5	14.0	12.0	1.50	1.38	1.60	60.0	35.0
CPCF2012A-2R2MC	20.5	14.0	12.0	2.20	2.11	2.40	50.0	28.0
CPCF2012A-3R3MC	20.5	14.0	12.0	3.30	2.11	2.40	35.0	28.0
CPCF2012A-4R7MC	20.5	14.0	12.0	4.70	2.11	2.40	24.0	28.0
CPCF2012A-6R8MC	20.5	14.0	12.0	6.80	2.11	2.40	16.0	28.0
CPCF2012A-8R2MC	20.5	14.0	12.0	8.20	2.11	2.40	13.0	28.0
CPCF2012A-100MC	20.5	14.0	12.0	10.0	5.87	7.00	13.0	16.0
CPCF2012A-150MC	20.5	14.0	12.0	15.0	5.87	7.00	10.0	16.0
CPCF2012A-220MC	20.5	14.0	12.0	22.0	8.17	9.80	10.0	14.0
CPCF2012A-330MC	20.5	14.0	12.0	33.0	8.17	9.80	7.00	14.0



Part No.	R47-R82	1R0-1R5	2R2-8R2	100-150	220-330
Dimension A	1.40	0.90	0.70	0.40	0.35
Dimension B	1.90	1.40	1.20	0.90	0.80

