



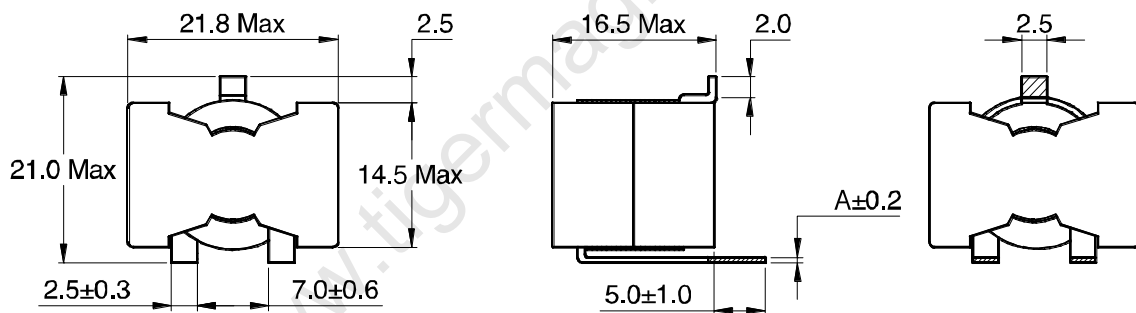
CPCF2016A

High Current Inductor

FEATURES

- Assemblage design, sturdy structure.
- High inductance, high current, low magnetic loss, low ESR, small parasitic capacitance.
- Flat wire winding, achieve a low D.C. Resistance.
- Temperature rise current and saturation current is less influenced by environment.
- Operating temperature : -55°C ~ +150°C (Including coil's temperature rise).

Part No.	Dimension(mm)			Inductance (μH)	DCR(mΩ)		Saturation Current (A)	Temperature rise current (A)
	Length	Width	Height		Typical	Max		
CPCF2016A-4R7MC	20.5	14.0	16.5	4.70	3.30	4.00	42.0	21.0
CPCF2016A-6R8MC	20.5	14.0	16.5	6.80	3.57	4.30	25.0	20.0
CPCF2016A-8R2MC	20.5	14.0	16.5	8.20	3.57	4.30	25.0	20.0
CPCF2016A-100MC	20.5	14.0	16.5	10.0	5.28	6.30	24.0	16.0
CPCF2016A-220MC	20.5	14.0	16.5	22.0	5.28	6.30	10.0	16.0
CPCF2016A-330MC	20.5	14.0	16.5	33.0	13.0	15.0	9.00	12.0
CPCF2016A-470MC	20.5	14.0	16.5	47.0	13.0	15.0	6.50	12.0



Part No.	4R7 – 8R2	100 – 220	330 – 470
Dimension A	0.80	0.65	0.40
Dimension B	1.30	1.15	0.90

