



# GT52502 Common Mode Power Choke Filter

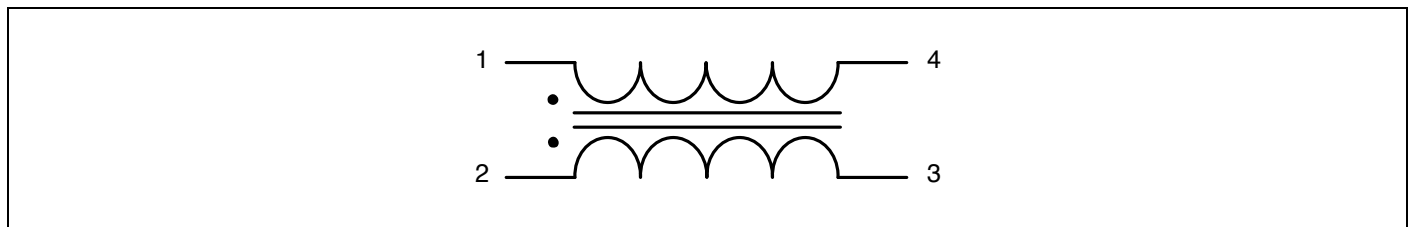
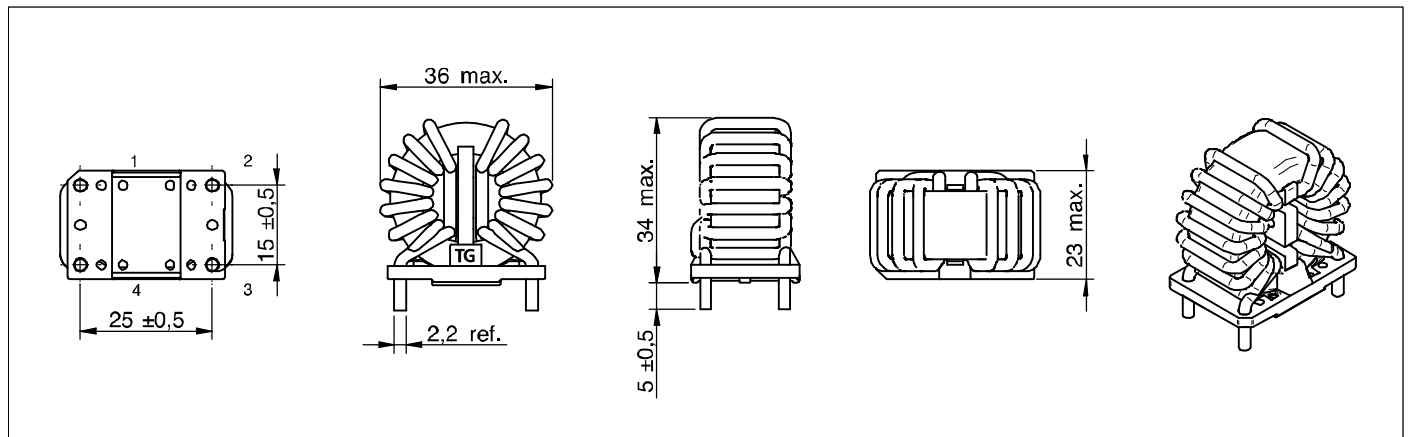
**FEATURES**

- High Reliability
- Bulk & Tray Package
- With & W/O PCB Mounting Base

**APPLICATION**

- Solar Inverters
- EMI Filters
- EV Chargers (SiC/GaN)

Properties		Test conditions	Value	Unit	Tol.
Number of windings	N		2	Turns	
Inductance	L	10 kHz/ 0.1 mA	2.5	mH	+50% / -30%
Rated Current	I <sub>R</sub>	@ 70 °C	25	A	max.
DC Resistance	R <sub>DC</sub>	@ 20 °C	2.2	mOhm	max.
Rated Voltage	V <sub>R</sub>	50 Hz	250	V (AC)	max.
Insulation Test Voltage	V <sub>T</sub>	50Hz/5mA/2sec.	1500	V (AC)	



- Test conditions of Electrical Properties: +20 °C, 33 % RH if not specified differently.
- Temperature Rise < 55 K
- Operating Temperature -40°C ~+125°C