



TG31xxxx Auxiliary Gate Drive Transformer

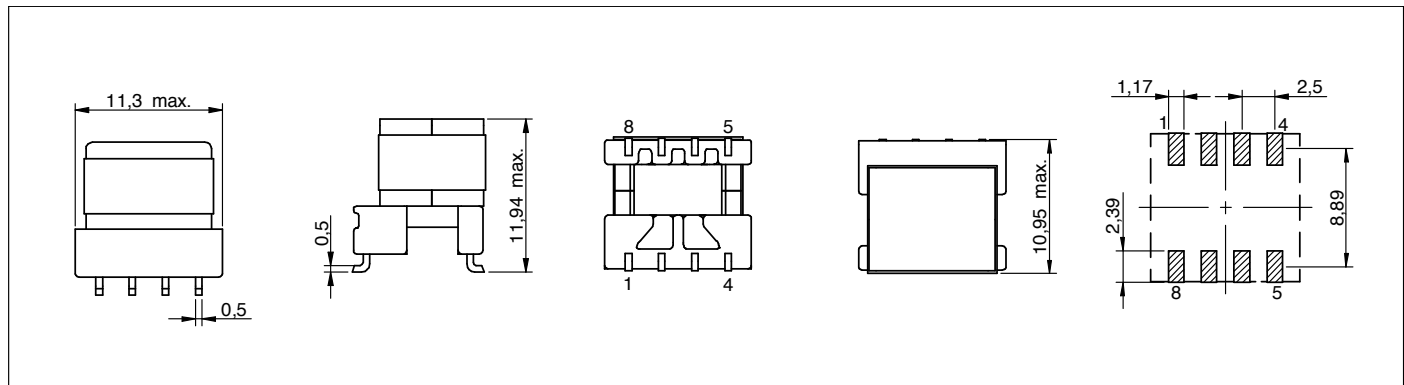
FEATURES

- High Reliability
- Bulk & Tray Package
- SMD & TH Options

APPLICATION

- Solar Inverters
- EMI Filters
- EV Chargers (SiC/GaN)

	TG317893	TG317894	TG318114	TG318131	TG318207	TG318208
Inductance	18μH	18μH	6μH	7μH	27μH	27μH
Tolerance	±10%	±10%	±10%	±10%	±10%	±10%
Turns Ratio	01:02	2.25:3.5:1	01:02	2.25:3.5:1	1:1.2	3.5:3.5:1
I SAT	1.95 A	1.6 A	6.2 A	5A	2A	1.5A
I LEAK	500nH	600nH	550nH	400nH	700nH	600nH
Cap. Int.	6.8pF	7pF	6.8pF	7.5pF	8.2pF	7pF
Iso V.	4000VAC	4000VAC	4000VAC	4000VAC	4000VAC	4000VAC
Vin	9-18 V	9-18 V	9-18 V	9-18 V	18-36 V	18-36 V
Freq.	350 KHz	350 KHz	350 KHz	350 KHz	350 KHz	350 KHz
Vout 1	19V	15V	19V	15V	19V	15V
Iout 1	0.16A	0.16A	0.32A	0.32A	0.26A	0.26A
Vout 2	-	-4V	-	-4V	-	-4V
Iout 2	-	0.16A	-	0.32A	-	0.26A



- Opt. Temp. : -40 up to +130 °C
- Test conditions of Electrical Properties: +20 °C, 33 % RH if not specified differently